

YAMAHA

PARTS LIST

YAMAHA CHAPPY

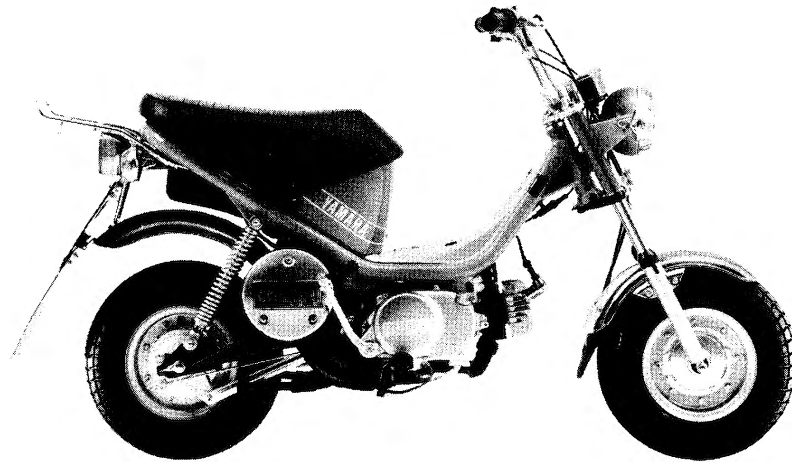
MODEL LB-2M'79

(MODEL CODE 1V9)

FOR SWEDEN

COPY RIGHT: ALL RIGHTS RESERVED
NO PART OF THIS PUBLICATION MAY BE REPRODUCED WITHOUT PERMISSION.

1V9-28198-F6



FOREWORD

This Parts List is related to the parts in use for the Yamaha LB-2M '79(1V9). When you are ordering replacement parts for the LB-2M '79(1V9), refer to this Parts List and quote both part numbers and part names correctly.

1. Modifications or additions which have been made after issue of the Parts List will be announced in the Yamaha Parts News.

It is advisable that according to the Yamaha Parts News you make necessary corrections to the Parts List on hand to keep it up-to-date.

2. Abbreviations

The following abbreviations are used in this Parts List.

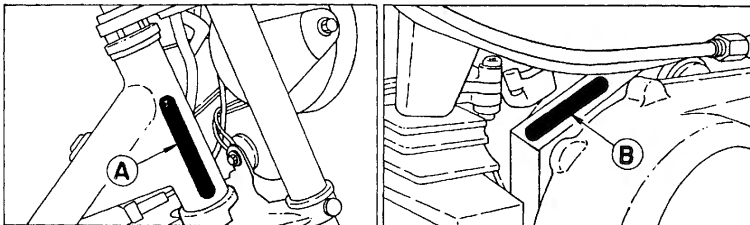
- U.R. Use size (thickness) and/or number as required.
- U.N. Use as many as you need.
- F# Frame No. (Applicable machine No.)

3. Parts, which are to be supplied in the form of assemblies, are listed with an indentation of one letter's space, and a dot (.) is put against the name of each part.

EXAMPLE CARBURETOR ASS'Y
 . JET, pilot
 . NOZZLE, main

4. Initial Serial No. and Color Code

(A)	Frame Serial No.	1V9-200101 and following
(B)	Engine Serial No.	1V9-200101 and following



Color Code	Color Name	Color Code	Color Name
33	Yamaha Black	E1	Chappy Red
91	Uni-Chrome Plated	1A	New White
93	Chrome Plated	29	Candy Blue
98	Low Gloss Black		
R4	Heat Proof Black		

CONTENTS

ENGINE

Fig. 1	Crankcase · Cylinder	1
Fig. 2	Crankcase Cover	2
Fig. 3	Crank · Piston	3
Fig. 4	Clutch	5
Fig. 5	Transmission	6
Fig. 6	Shifter 1	7
Fig. 7	Shifter 2	8
Fig. 8	Kick Starter	9
Fig. 9	Intake	10
Fig. 10	Carburetor	11
Fig. 11	Exhaust	13
Fig. 12	Oil Pump	14
Fig. 13	Flywheel Magneto	15

CHASSIS

Fig. 14	Frame	16
Fig. 15	Rear Arm · Rear Cushion · Chain Case	17
Fig. 16	Stand · Footrest · Brake Pedal	18
Fig. 17	Front Fender · Rear Fender	19
Fig. 18	Front Fork	20
Fig. 19	Steering	21
Fig. 20	Handle · Wire	22
Fig. 21	Fuel Tank	24
Fig. 22	Oil Tank	25
Fig. 23	Seat · Under Cover	26
Fig. 24	Front Wheel	27
Fig. 25	Rear Wheel	29
Fig. 26	Head Lamp · Speedometer	31

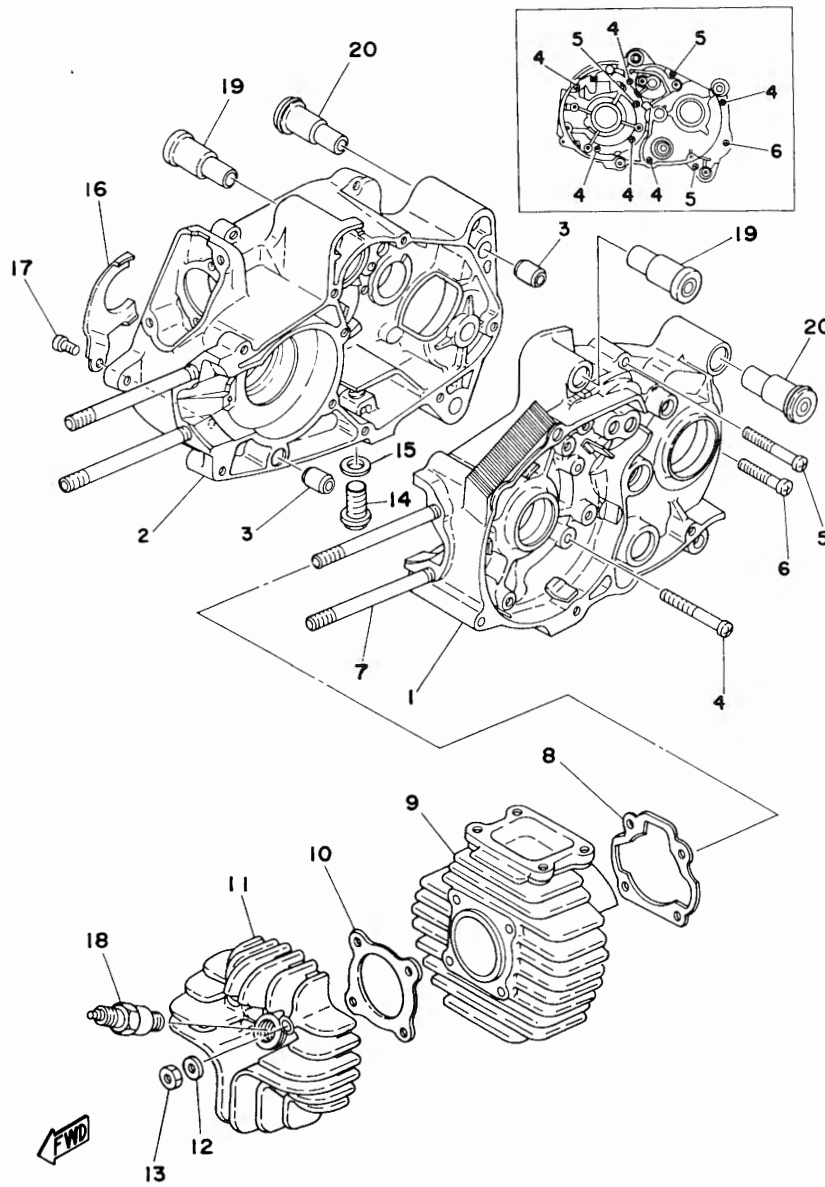
Fig. 27	Carrier · Tail Lamp	32
Fig. 28	Flasher Lamp	33
Fig. 29	Electrical	34

REPAIR KIT

Fig. 30	Repair Kit	36
---------	------------------	----

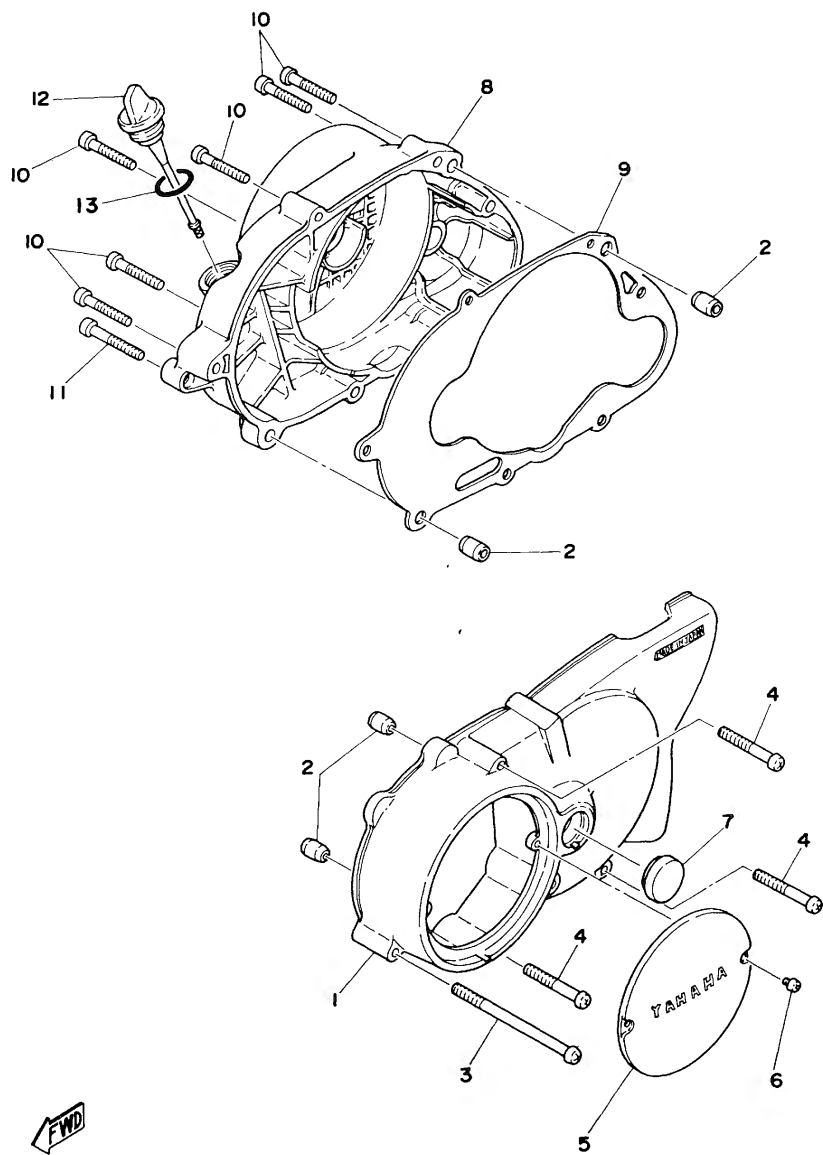
NUMERICAL INDEX

Fig. 1 CRANKCASE · CYLINDER



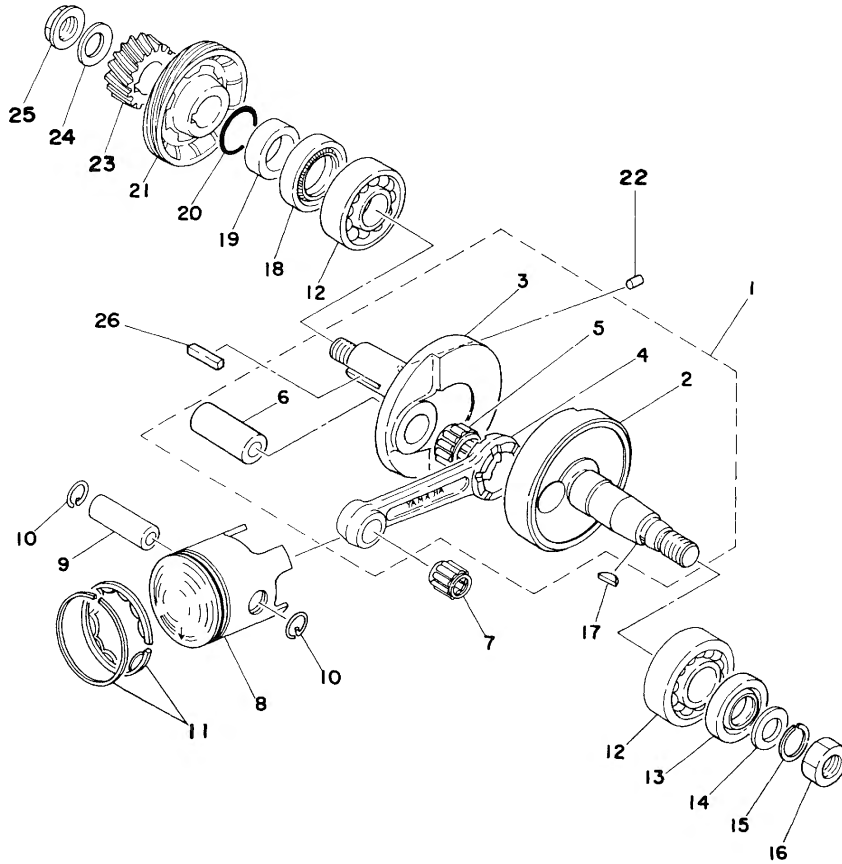
Ref. No.	Part No.	Description	Q'ty	Applicable Machine No.	Remarks
1- 1	1V3-15111-00	CASE, crank left	1		
1- 2	1L6-15121-03	CASE, crank right	1		
1- 3	91830-22016	PIN, dowel (8.4-12-16)	2		
1- 4	92501-06050	SCREW, panhead	6		
1- 5	92501-06045	SCREW, panhead	3		
1- 6	92501-06035	SCREW, panhead	1		
1- 7	90116-06026	BOLT (109-11361-00)	4		
1- 8	439-11351-00	GASKET, cylinder	1		
1- 9	439-11311-00	CYLINDER	1		
1-10	1X5-11181-00	GASKET, cylinder head	1		
1-11	439-11111-00	HEAD, cylinder	1		
1-12	92901-06200	WASHER, plain	4		
1-13	95301-06600	NUT, hexagon	4		
1-14	90340-12005	PLUG, drain (132-15351-00)	1		
1-15	90430-12038	GASKET (132-15353-00)	1		
1-16	296-15128-00	HOLDER, right	1		
1-17	92501-08010	SCREW, panhead	1		
1-18	94701-00039	PLUG, spark (B-6HS)	1		
1-19	296-15316-00	DAMPER 1	2		
1-20	1M3-15316-00	DAMPER 1	2		

Fig. 2 CRANKCASE COVER



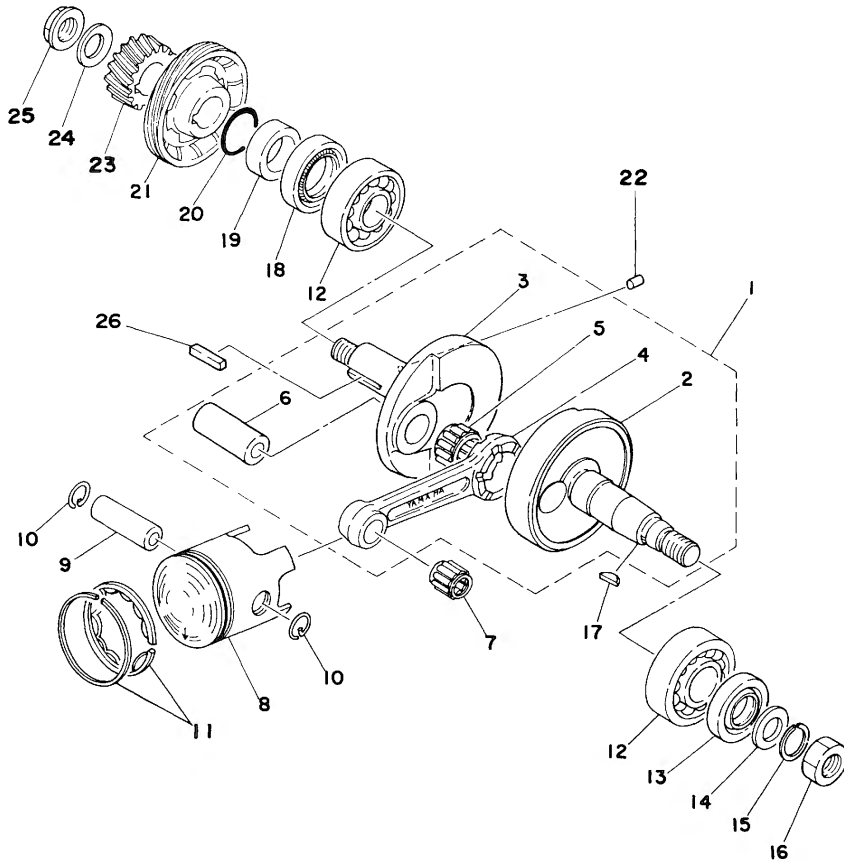
Ref. No.	Part No.	Description	Q'ty	Applicable Machine No.	Remarks
2- 1	1L6-15411-00	COVER, crankcase left	1		
2- 2	91830-21014	PIN, dowel (6.4-10-14)	4		
2- 3	92501-06100	SCREW, panhead	1		
2- 4	92501-06045	SCREW, panhead	3		
2- 5	164-15415-00	COVER, generator	1		
2- 6	98501-04006	SCREW, panhead	2		
2- 7	257-15417-01	COVER, cap 1	1		
2- 8	517-15421-01	COVER, crankcase right	1		
2- 9	517-15451-01	GASKET, crankcase cover	1		
2-10	92501-06035	SCREW, panhead	6		
2-11	92501-06040	SCREW, panhead	1		
2-12	1L7-15363-00	PLUG, oil	1		
2-13	93210-21190	O-RING (2.6-20.6)	1		

Fig. 3 CRANK · PISTON



Ref. No.	Part No.	Description	Q'ty	Applicable Machine No.	Remarks
3- 1	3E1-11400-00	CRANK ASS'Y	1		
3- 2	517-11412-03	. CRANK, left	1		
3- 3	517-11422-01	. CRANK, right	1		
3- 4	538-11651-01	. ROD, connecting	1		
3- 5	93310-41810	. BEARING, con-rod big end	1		
3- 6	257-11681-00	. PIN, crank	1		
3- 7	93310-11268	BEARING, con-rod small end	1		
3- 8	353-11631-22-97	PISTON (39.97mm STD)	} U.R 1		
	353-11631-22-98	PISTON (39.98mm STD)			
	353-11635-22	PISTON (40.25mm 1st O.S)	1		Alternate Parts
	353-11636-22	PISTON (40.50mm 2nd O.S)	1		Alternate Parts
	353-11637-22	PISTON (40.75mm 3rd O.S)	1		Alternate Parts
	353-11638-22	PISTON (41.00mm 4th O.S)	1		Alternate Parts
3- 9	517-11633-00	PIN, piston	1		
3-10	93450-13022	CLIP, piston (132-11634-00)	2		
3-11	260-11610-02	PISTON RING SET (STD)	1s		
	260-11610-12	PISTON RING SET (1st O.S)	1s		Alternate Parts
	260-11610-22	PISTON RING SET (2nd O.S)	1s		Alternate Parts
	260-11610-32	PISTON RING SET (3rd O.S)	1s		Alternate Parts
	260-11610-42	PISTON RING SET (4th O.S)	1s		Alternate Parts
3-12	93306-20418	BEARING (B6204CS)	2		
3-13	93102-20009	OIL SEAL (SD-20-35-7)	1		
3-14	90201-12535	WASHER, plate	1		
3-15	92901-12100	WASHER, spring	1		
3-16	90170-12175	NUT, hexagon	1		
3-17	90280-03017	KEY, woodruff (146-11545-00)	1		
3-18	93103-28011	OIL SEAL (SW-28-40-8)	1		
3-19	90387-20163	COLLAR (183-16136-00)	1		
3-20	93210-18023	O-RING (1.2-17.6)	1		

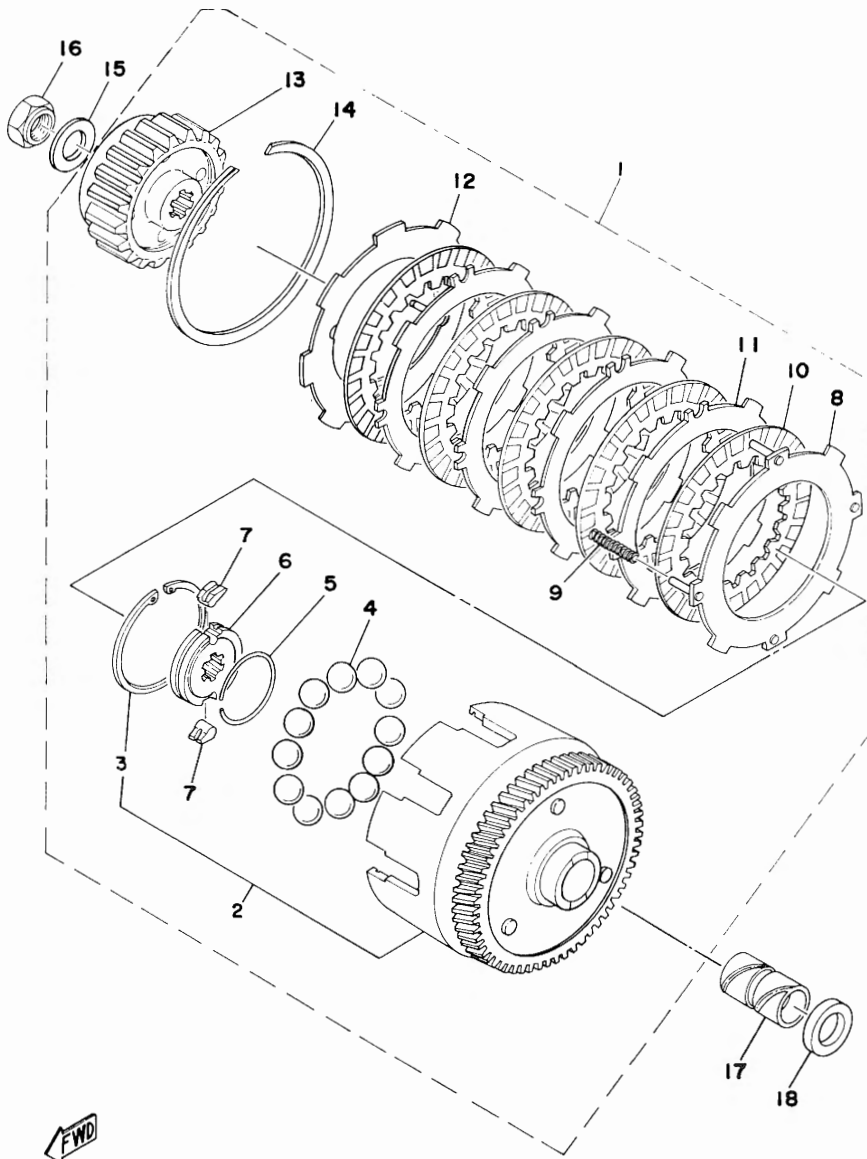
Fig. 3 CRANK · PISTON



Ref. No.	Part No.	Description	Q'ty	Applicable Machine No.	Remarks
3-21	2T6-13178-00	GEAR, drive	1		
3-22	93603-08072	PIN, dowel (2.5-7.8)	1		
3-23	401-16111-00-20	GEAR, primary drive (19T)	} U.R 1		Discrimination mark of Backlash: B Discrimination mark of Backlash: C Discrimination mark of Backlash: D
	401-16111-00-30	GEAR, primary drive (19T)			
	401-16111-00-40	GEAR, primary drive (19T)			
3-24	90208-12015	WASHER (164-16119-00)	1		
3-25	90179-12244	NUT	1		
3-26	90282-05005	KEY, straight (353-11546-00).....	1		

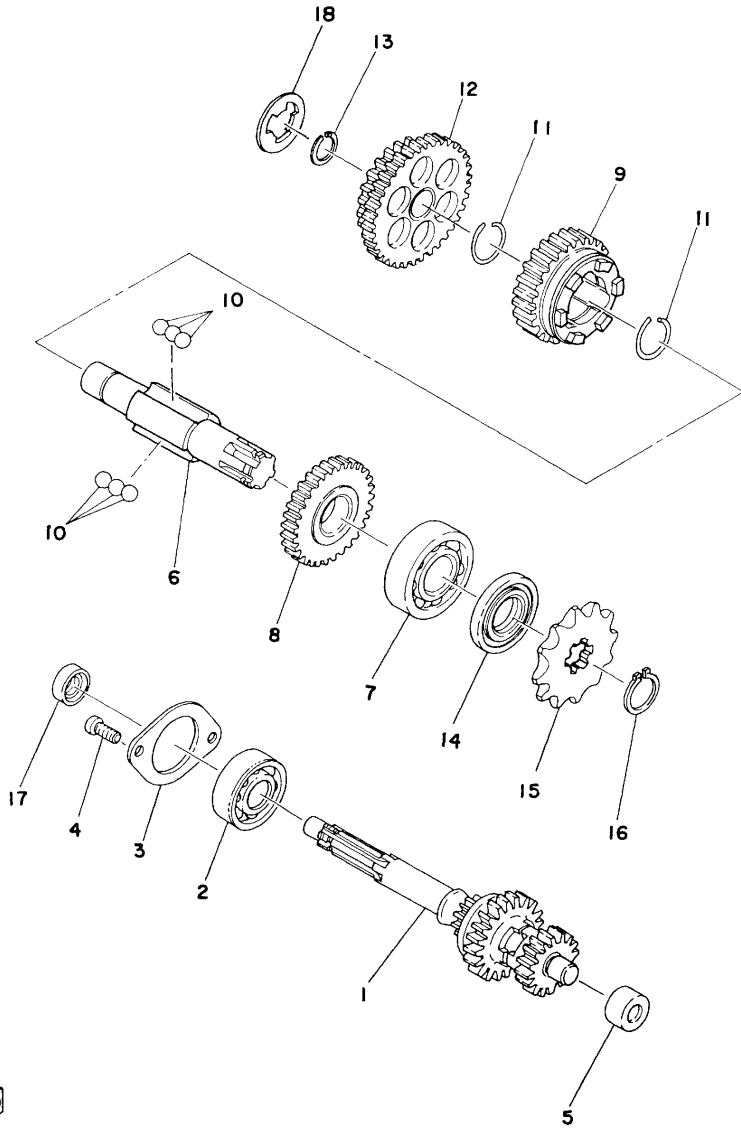
FWD

Fig. 4 CLUTCH



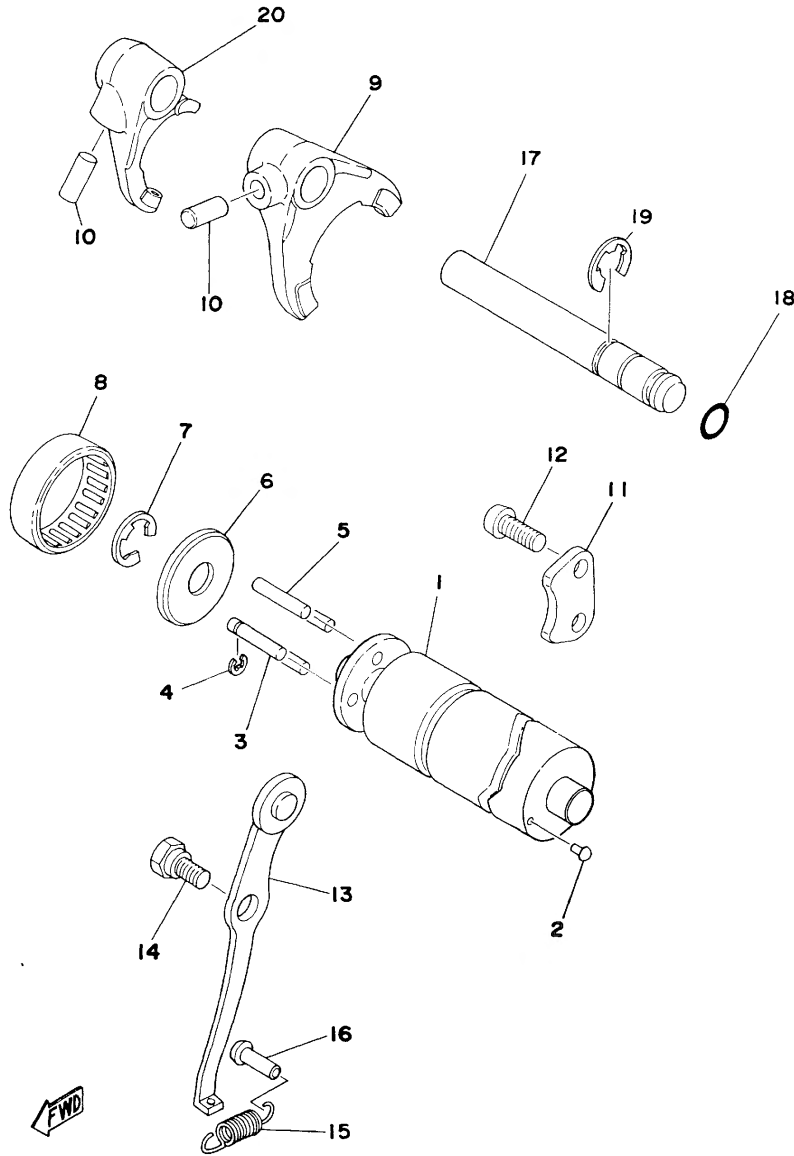
Ref. No.	Part No.	Description	Q'ty	Applicable Machine No.	Remarks
4- 1	1V8-16301-01	CLUTCH ASS'Y	1		
4- 2	1V8-16150-01-20	. PRIMARY DRIVEN GEAR COMP. (68T)	1	U.R	Discrimination mark of Backlash: B
	1V8-16150-01-30	. PRIMARY DRIVEN GEAR COMP. (68T)			
	1V8-16150-01-40	. PRIMARY DRIVEN GEAR COMP. (68T)			
4- 3	93420-61041	. . CIRCLIP (R-61)	1		
4- 4	93505-08030	. BALL (5/8 inch)	10		
4- 5	2T4-15637-00	. SPRING, pawl	1		
4- 6	517-16180-00	. BOSS, one way	1		
4- 7	384-15635-00	. PAWL, one way	2		
4- 8	517-16520-10	. THRUST PLATE ASS'Y	1		
4- 9	90501-08463	. SPRING, compression	4		
4-10	116-16521-00	. PLATE, friction	5		
4-11	517-16524-10	. PLATE, clutch 1	4	U.R	Discrimination mark of Backlash: D
	517-16524-20	. PLATE, clutch 2			
	517-16524-30	. PLATE, clutch 3			
4-12	517-16551-91	. PLATE, pressure 1	1		
4-13	517-16571-01	. BOSS, clutch	1		
4-14	93451-11037	. CIRCLIP	1		
4-15	90208-16019	WASHER, conical spring	1		
4-16	90179-16190	NUT	1		
4-17	90560-17124	SPACER	1		
4-18	122-16164-00	PLATE, thrust 2	1		

Fig. 5 TRANSMISSION



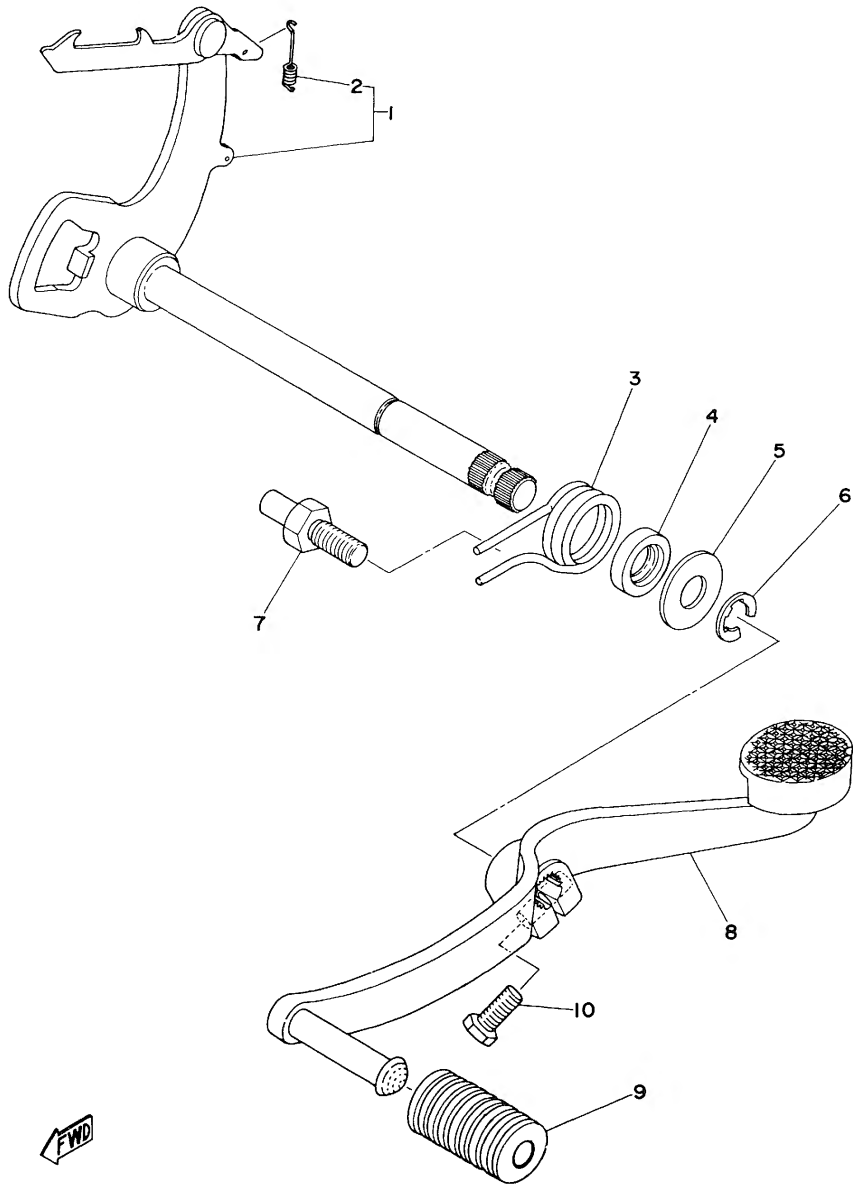
Ref. No.	Part No.	Description	Q'ty	Applicable Machine No.	Remarks
5- 1	1W7-17410-00	MAIN AXLE COMP.	1		
5- 2	93306-20309	BEARING (B6203)	1		
5- 3	296-17471-00	PLATE, bearing cover	1		
5- 4	92501-06012	SCREW, panhead	2		
5- 5	93320-41202	BEARING	1		
5- 6	1W7-17421-10	AXLE, drive	1		
5- 7	93306-20401	BEARING (B6204)	1		
5- 8	1W7-17221-20	GEAR, 2nd wheel (29T)	1		
5- 9	1W7-17231-21	GEAR, 3rd wheel (24T)	1		
5-10	93509-32012	BALL (9/32 inch)	12		
5-11	93450-28049	CIRCLIP (28φ special)	2		
5-12	1W7-17211-12	GEAR, 1st wheel (26T, 39T)	1		
5-13	93440-15012	CIRCLIP (15φ special)	1		
5-14	93102-20143	OIL SEAL (SD-20-38-5)	1		
5-15	517-17461-21	SPROCKET, drive (12T)	} U.R 1		STD
	517-17461-31	SPROCKET, drive (13T)			
	517-17461-41	SPROCKET, drive (14T)			
5-16	93410-20038	CIRCLIP (S-20)	1		
5-17	93104-11053	OIL SEAL (SO-11-20-9)	1		
5-18	90209-15178	WASHER (0.6T)	} U.R 1		
	90209-15179	WASHER (0.8T)			
	90209-15180	WASHER (1.0T)			

Fig. 6 SHIFTER 1



Ref. No.	Part No.	Description	Qty	Applicable Machine No.	Remarks
6- 1	2N8-18541-00	CAM, shift	1		
6- 2	136-18542-00	POINT, neutral	1		
6- 3	90249-04039	PIN (174-18544-00)	1		
6- 4	93430-03014	CIRCLIP (E-2.5)	1		
6- 5	93604-22050	PIN, dowel (4-21.8)	3		
6- 6	296-18561-00	PLATE, side 1	1		
6- 7	93430-09019	CIRCLIP (E-9)	1		
6- 8	93315-23208	BEARING	1		
6- 9	1W7-18511-01	FORK, shift 1	1		
6-10	93606-14081	PIN, dowel (6-14.5)	2		
6-11	296-18562-01	PLATE, stopper 2	1		
6-12	92501-06015	SCREW, panhead	2		
6-13	296-18140-02	STOPPER LEVER ASS'Y	1		
6-14	90109-06001	BOLT, stopper (132-18177-00)....	1		
6-15	90506-10184	SPRING, tension	1		
6-16	132-16346-00	HOOK, spring	1		
6-17	441-18531-02	BAR, shift fork guide	1		
6-18	93210-08006	O-RING (1.9-7.8)	1		
6-19	93430-10016	CIRCLIP (E-10)	1		
6-20	1W7-18512-02	FORK, shift 2	1		

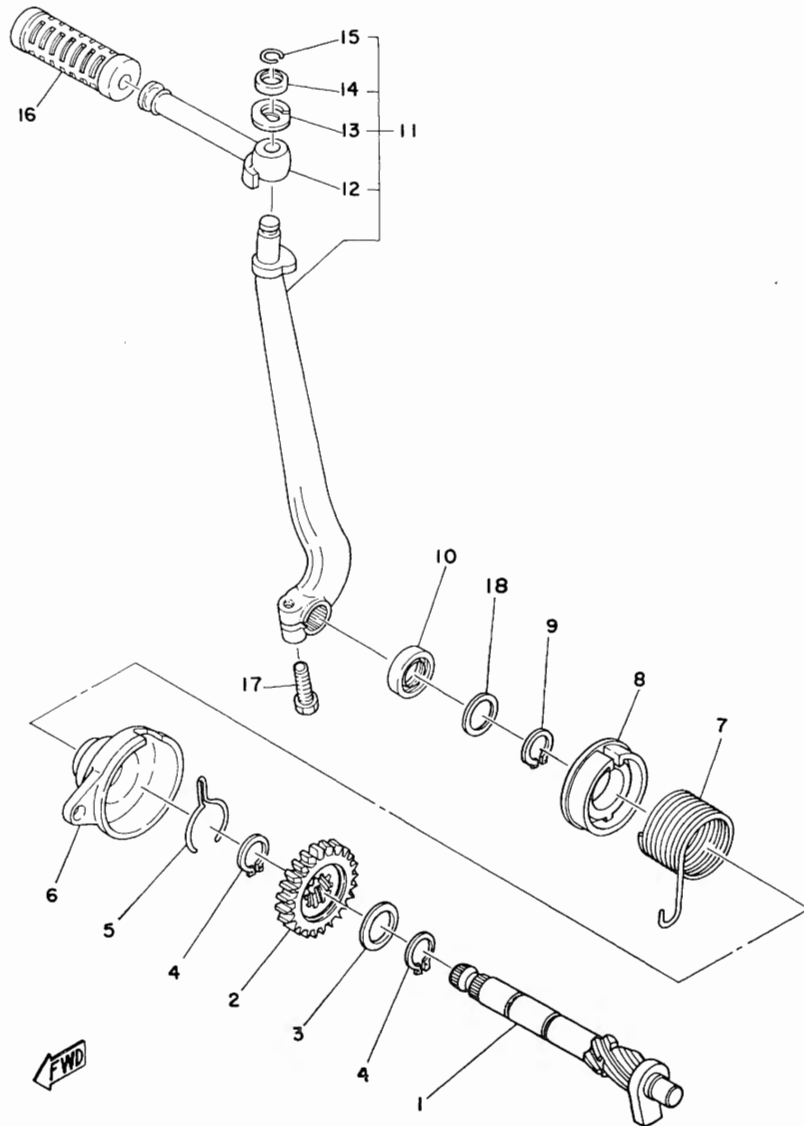
Fig.7 SHIFTER 2



Ref. No.	Part No.	Description	Q'ty	Applicable Machine No.	Remarks
7- 1	517-18101-01	CHANGE SHAFT ASS'Y	1		
7- 2	90506-08122	. SPRING, tension	1		
7- 3	90508-32263	SPRING, torsion	1		
7- 4	93101-12004	OIL SEAL (S-12-22-5)	1		
7- 5	90201-12575	WASHER, plate	1		
7- 6	93430-10016	CIRCLIP (E-10)	1		
7- 7	278-18127-00	STOPPER, screw	1		
7- 8	441-18111-01-91	PEDAL, change	1		
7- 9	132-18113-01	COVER, pedal change	1		
7-10	97321-06020	BOLT, hexagon	1		

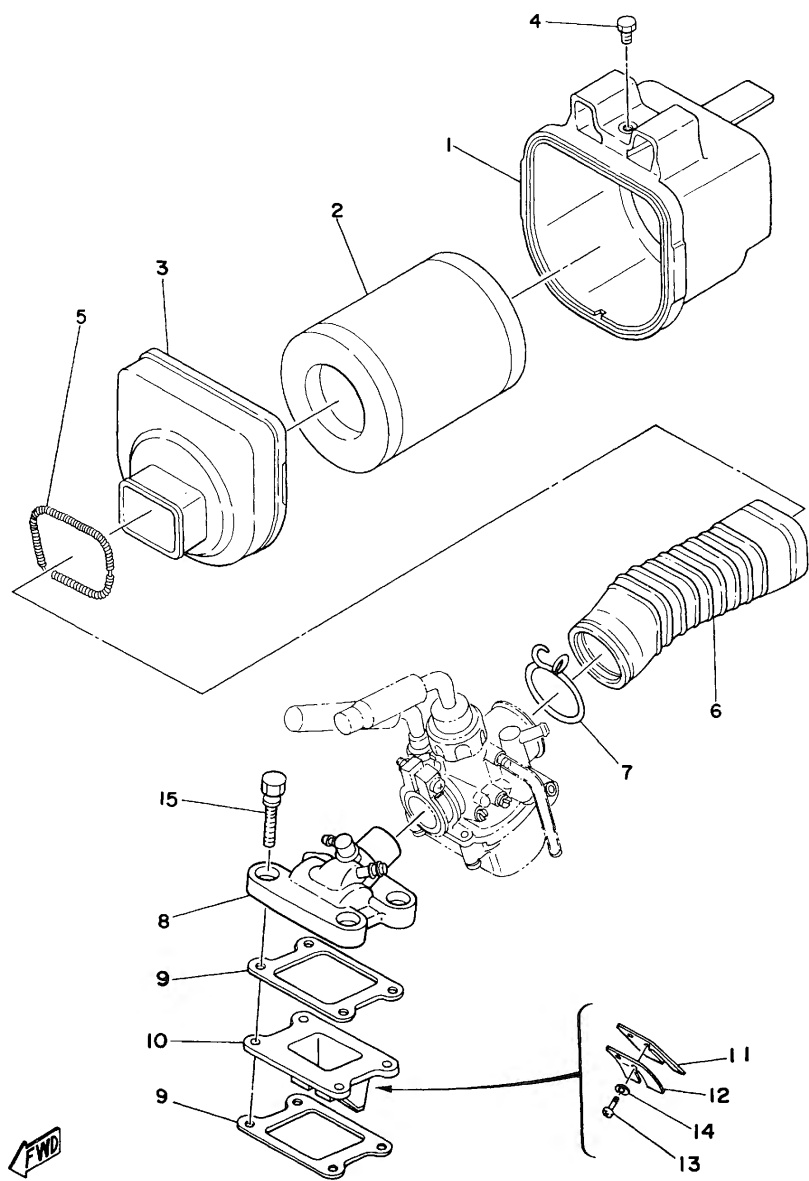


Fig. 8 KICK STARTER



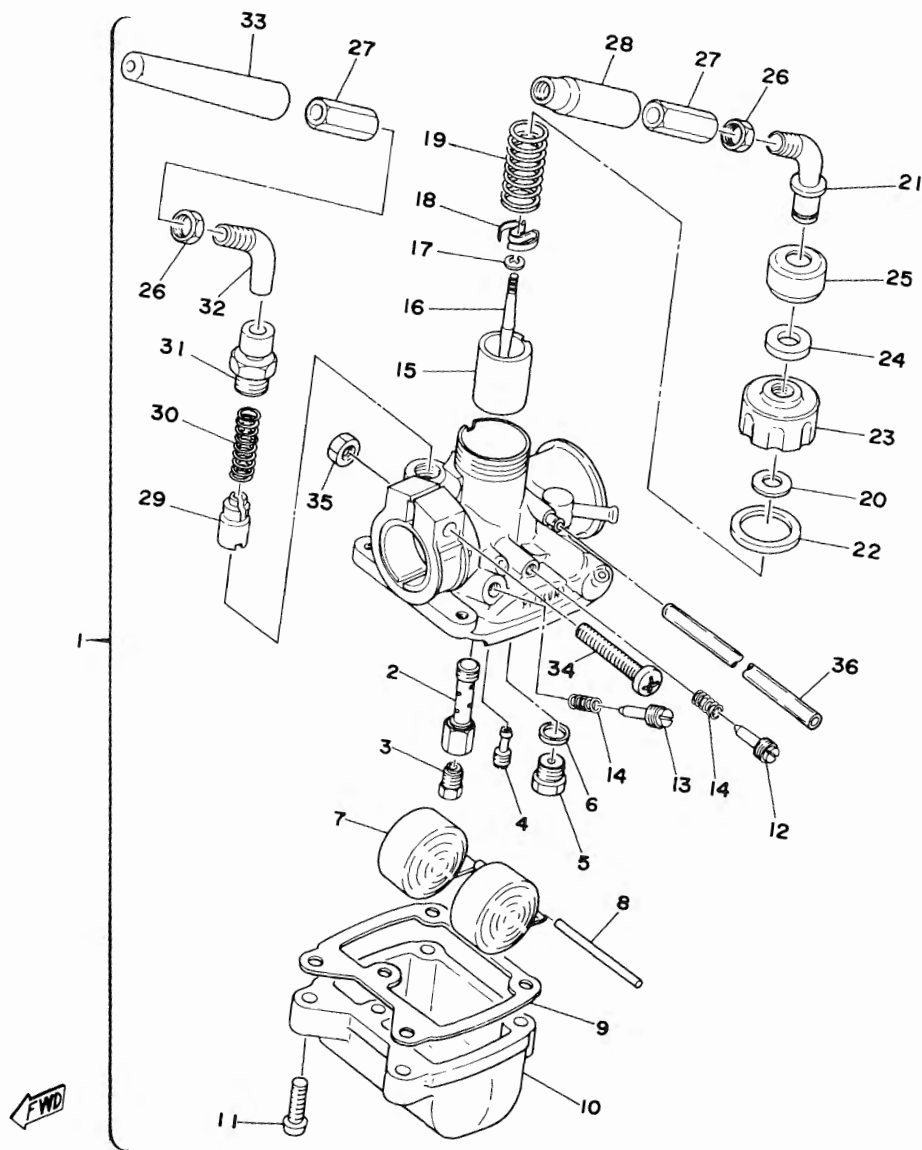
Ref. No.	Part No.	Description	Q'ty	Applicable Machine No.	Remarks
8- 1	3E5-15660-00	KICK AXLE ASS'Y	1		
8- 2	3E5-15641-00	GEAR, kick (21T)	1		
8- 3	90201-20266	WASHER, plate	1		
8- 4	93410-20009	CIRCLIP (S-20)	2		
8- 5	90468-23093	CLIP	1		
8- 6	3E5-15664-00	GUIDE, kick spring	1		
8- 7	90508-26136	SPRING, torsion	1		
8- 8	3E5-15676-00	COVER, kick spring	1		
8- 9	93410-17008	CIRCLIP (S-17)	1		
8-10	93109-15001	OIL SEAL (SDO-15-26-6)	1		
8-11	1L7-15610-00-91	KICK CRANK ASS'Y	1		
8-12	122-15612-02	. LEVER, kick	1		
8-13	90504-18005	. SPRING, compression	1		
8-14	90209-10108	. WASHER (132-15616-01)	1		
8-15	93440-10028	. CLIP (132-15617-00)	1		
8-16	156-15618-01	COVER, kick lever	1		
8-17	97311-06025	BOLT, hexagon	1		
8-18	90201-15701	WASHER, plate	1		

Fig. 9 INTAKE



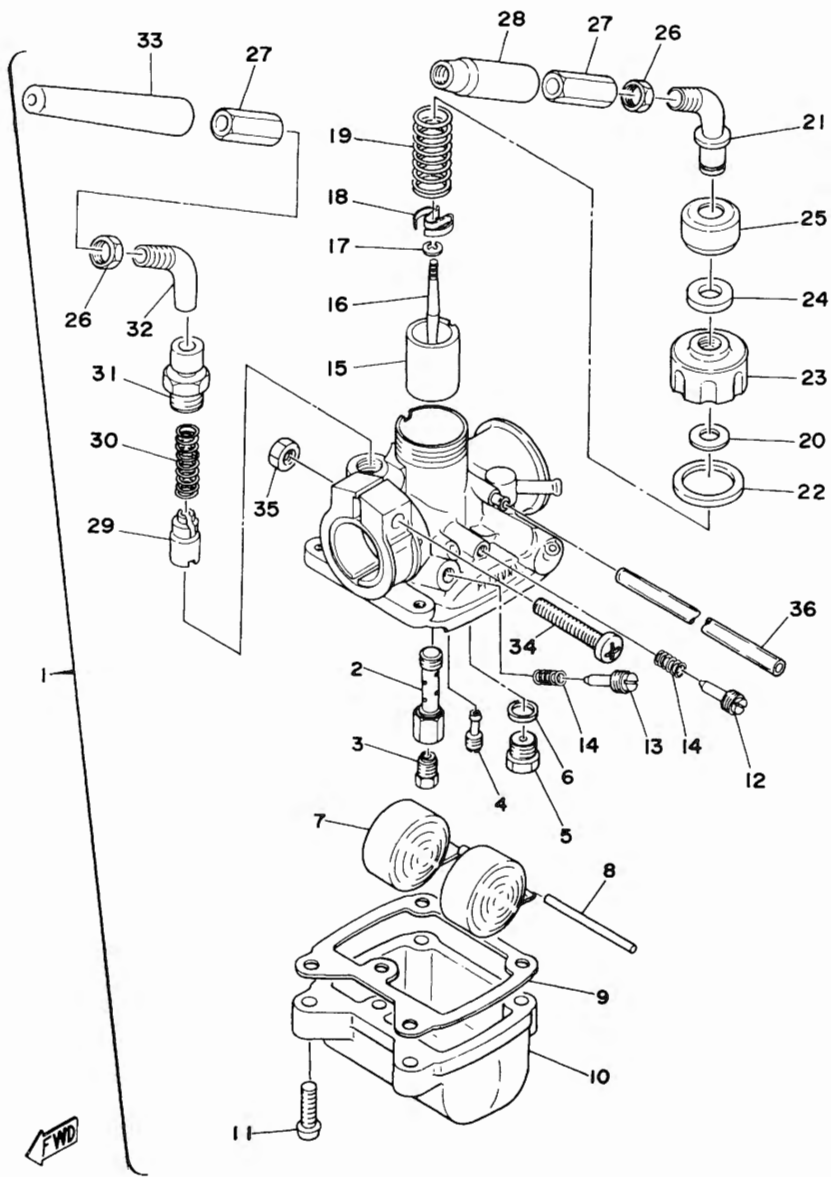
Ref. No.	Part No.	Description	Q'ty	Applicable Machine No.	Remarks
9- 1	1V8-14411-00	CASE, air cleaner	1		
9- 2	1V8-14451-00	ELEMENT, air cleaner	1		
9- 3	1V8-14412-00	CAP, cleaner case	1		
9- 4	97301-06010	BOLT, hexagon	1		
9- 5	90506-06075	SPRING, tension	1		
9- 6	1V8-14453-00	JOINT, air cleaner	1		
9- 7	90467-20023	CLIP (296-14455-00)	1		
9- 8	1V8-13565-00	MANIFOLD	1		
9- 9	353-13621-00	PACKING, valve seat	2		
9-10	353-13610-01	REED VALVE ASS'Y	1		
9-11	314-13613-00	. REED, valve	1		
9-12	314-13616-01	. STOPPER, reed valve	1		
9-13	98512-03008	. SCREW, panhead	2		
9-14	92901-03100	. WASHER, spring	2		
9-15	90109-06413	BOLT	4		

Fig. 10 CARBURETOR



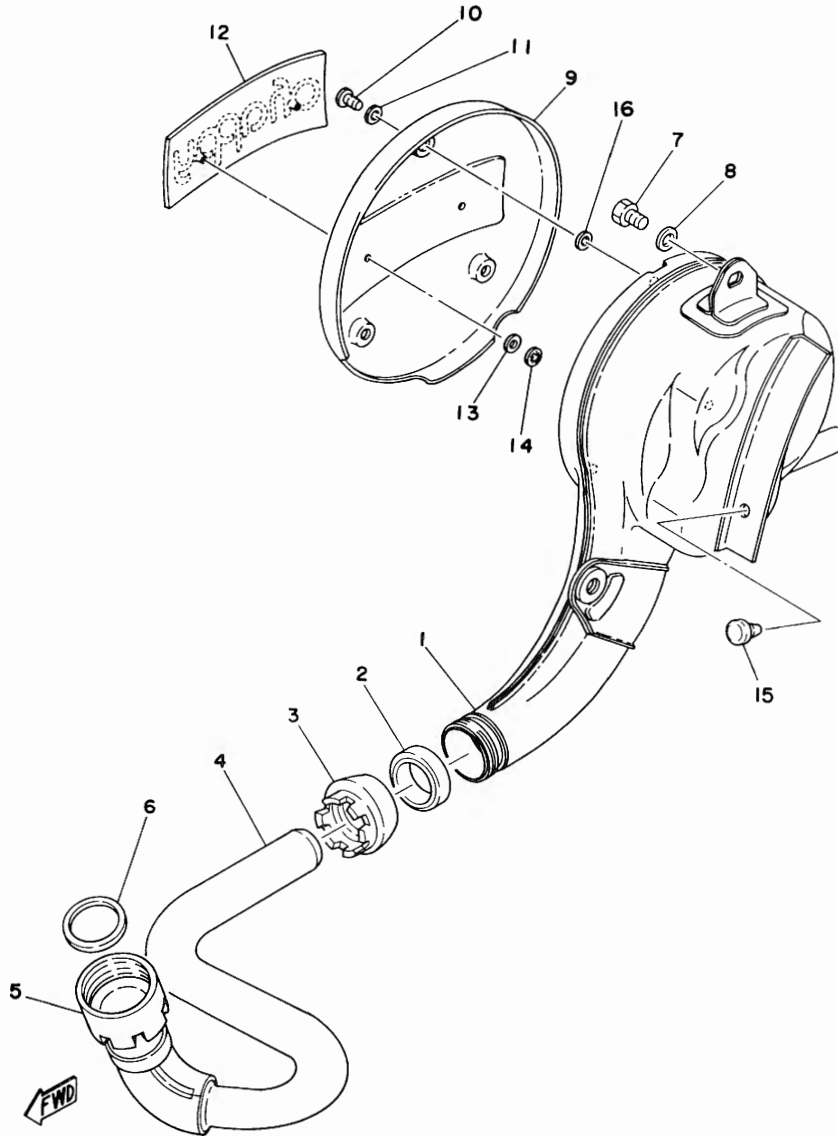
Ref. No.	Part No.	Description	Q'ty	Applicable Machine No.	Remarks
10- 1	1V8-14101-10	CARBURETOR ASS'Y	1		
10- 2	1V8-14141-14	. NOZZLE, main (E-4)	1		
10- 3	127-14143-13	. JET, main (#65)	} U/R 1		STD
	127-14143-14	. JET, main (#70)			
	127-14143-15	. JET, main (#75)			
10- 4	193-14142-15	. JET, pilot (#15)	1		
10- 5	353-14190-12	. VALVE SEAT ASS'Y (#1.2)	1		
10- 6	127-14195-00	. WASHER, valve seat	1		
10- 7	127-14185-00	. FLOAT	1		
10- 8	127-14186-00	. PIN, float	1		
10- 9	127-14184-00	. GASKET, float chamber	1		
10-10	2T5-14181-05	. BODY, float chamber	1		
10-11	98501-04016	. SCREW, panhead	1		
10-12	102-14122-00	. SCREW, throttle	4		
10-13	127-14123-00	. SCREW, air adjusting	1		
10-14	127-14134-00	. SPRING, air adjusting	1		
10-15	1V8-14112-30	. VALVE, throttle (#3.0)	2		
10-16	127-14116-09	. NEEDLE (3G9-4)	1		
10-17	127-14137-00	. CLIP	1		
10-18	296-14136-00	. SEAT, spring	1		
10-19	127-14131-00	. SPRING, throttle	1		
10-20	341-14952-00	. WASHER	1		
10-21	2T8-14155-00	. GUIDE, cable	1		
10-22	1V3-14126-00	. PACKING	1		
10-23	1V3-14158-00	. TOP	1		
10-24	509-14198-00	. GASKET	1		
10-25	1M1-14169-00	. CAP	1		
10-26	127-14161-00	. NUT, lock	2		

Fig. 10 CARBURETOR



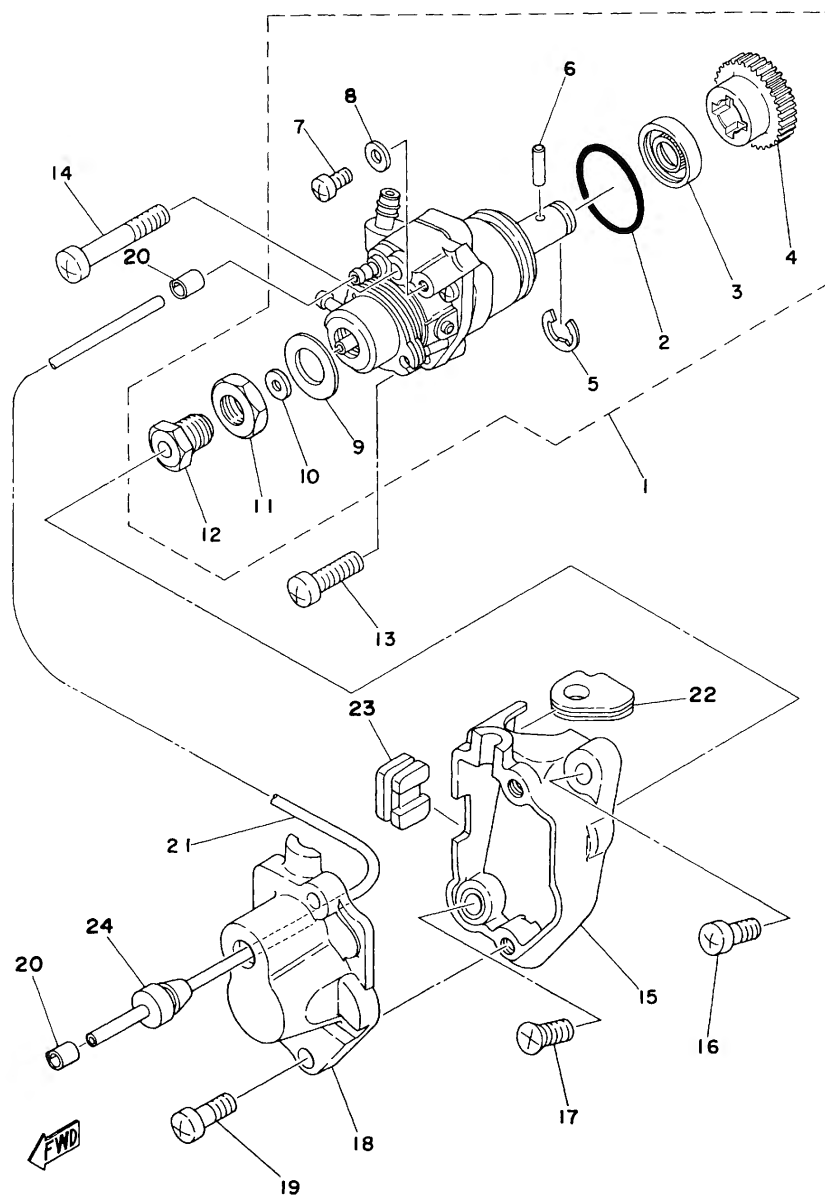
Ref. No.	Part No.	Description	Q'ty	Applicable Machine No.	Remarks
10-27	432-14124-00	. SCREW, wire adjusting	2		
10-28	1R0-14169-00	. CAP	1		
10-29	127-14171-00	. PLUNGER, starter	1		
10-30	127-14135-00	. SPRING, plunger	1		
10-31	439-14174-01	. CAP, plunger	1		
10-32	439-14155-00	. GUIDE, cable	1		
10-33	439-14169-00	. CAP	1		
10-34	98501-05025	. SCREW, panhead	1		
10-35	296-14164-00	. NUT, holding	1		
10-36	1M2-14196-00	. HOSE, air vent (3.0-85)	1		

Fig. 11 EXHAUST



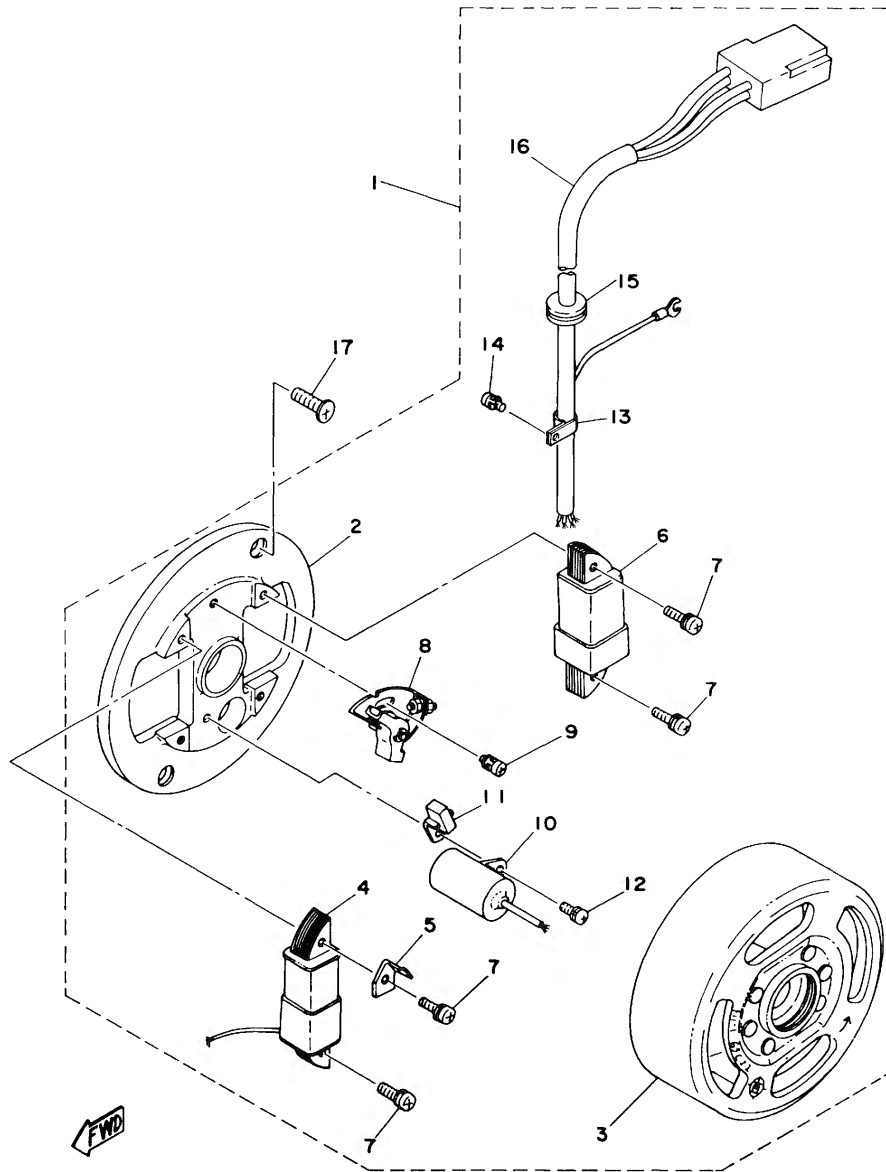
Ref. No.	Part No.	Description	Q'ty	Applicable Machine No.	Remarks
11- 1	1V8-14710-00	MUFFLER ASS'Y	1		
11- 2	1J5-14714-00	GASKET, muffler joint	1		
11- 3	1V3-14713-00	NUT, muffler joint	1		
11- 4	551-14611-02	PIPE, exhaust	1		
11- 5	1L4-14612-00	NUT, ring	1		
11- 6	132-14613-00	GASKET, exhaust pipe	1		
11- 7	97301-08016	BOLT, hexagon	1		
11- 8	92901-08600	WASHER, plate	1		
11- 9	439-14718-01	PROTECTOR, muffler	1		
11-10	98903-06010	SCREW, bind	3		
11-11	90202-06010	WASHER (178-14766-00)	3		
11-12	439-14729-00	EMBLEM, protector	1		
11-13	90202-04003	WASHER, plate	2		
11-14	116-28317-00	NUT, emblem (174-28316-00)	2		
11-15	441-14747-00	DAMPER, muffler	1		
11-16	90430-06012	GASKET (620-13168-00)	3		

Fig. 12 OIL PUMP



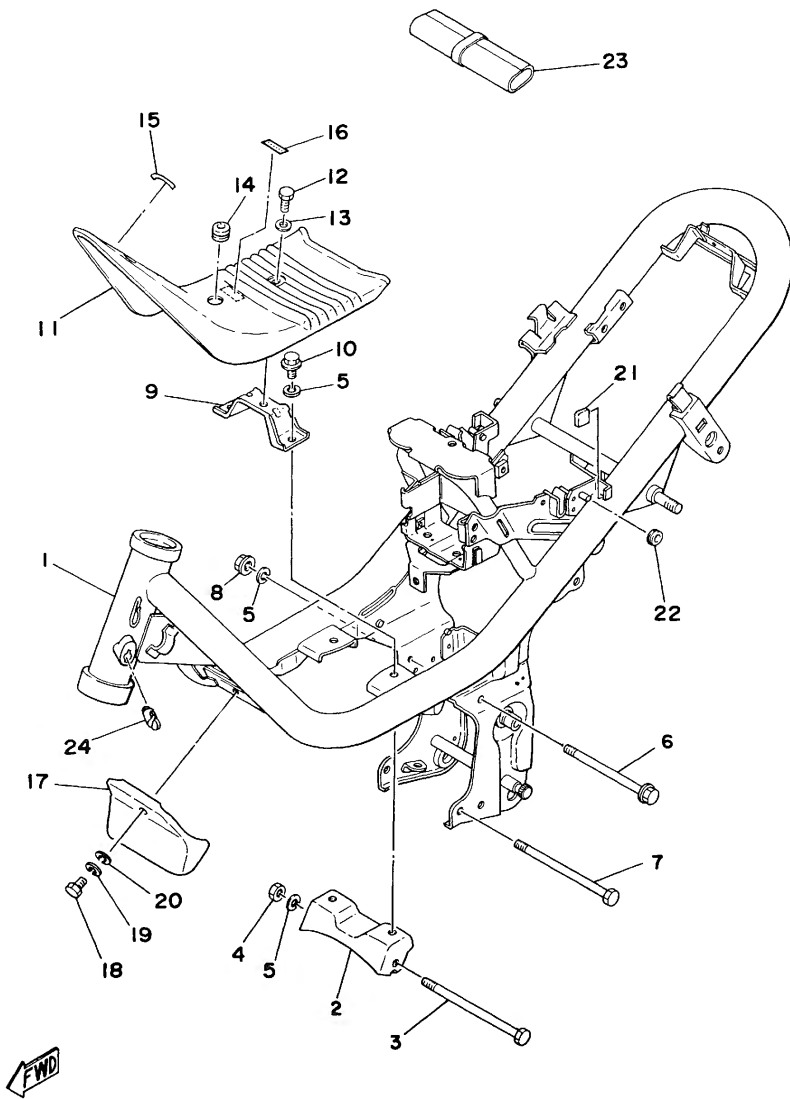
Ref. No.	Part No.	Description	Q'ty	Applicable Machine No.	Remarks
12- 1	2T5-13101-00	OIL PUMP ASS'Y	1		
12- 2	93210-26240	. O-RING (2.4-25.8)	1		
12- 3	93101-10001	. OIL SEAL (S-10-21-5)	1		
12- 4	2T5-13124-00	. GEAR, worm wheel (71T)	1		
12- 5	93430-07012	. CIRCLIP (E-7)	1		
12- 6	93603-14026	. PIN, dowel (3-14)	1		
12- 7	98901-04008	. SCREW, bind	1		
12- 8	90430-04004	. GASKET	1		
12- 9	296-13147-00	. SHIM	1		
12-10	384-13138-00	. PLATE	1		
12-11	90170-10105	. NUT, hexagon	1		
12-12	90401-10029	. BOLT, union	1		
12-13	98501-05020	SCREW, panhead	1		
12-14	98501-05035	SCREW, panhead	1		
12-15	439-15416-02	COVER, oil pump 1	1		
12-16	92501-06015	SCREW, panhead	1		
12-17	92701-06012	SCREW, flathead	1		
12-18	439-15426-03	COVER, oil pump 2	1		
12-19	92501-06015	SCREW, panhead	2		
12-20	90468-02033	CLIP	2		
12-21	90445-05206	HOSE (2-105)	1		
12-22	384-13174-00	HOLDER, oil pipe	1		
12-23	90480-16179	GROMMET	1		
12-24	90480-11057	GROMMET	1		

Fig. 13 FLYWHEEL MAGNETO



Ref. No.	Part No.	Description	Q'ty	Applicable Machine No.	Remarks
13- 1	1V9-81300-20	FLYWHEEL MAGNETO ASS'Y	1		
13- 2	520-81309-20	. BASE, flywheel magneto	1		
13- 3	1V9-81350-20	. ROTOR ASS'Y	1		
13- 4	207-81312-21	. COIL, source	1		
13- 5	296-81332-10	. PLATE, timing	1		
13- 6	1X6-81313-20	. COIL, lighting	1		
13- 7	110-81348-21	. SCREW (4-25)	4		
13- 8	1K8-81321-20	. CONTACT BREAKER ASS'Y	1		
13- 9	110-81346-21	. SCREW (4-10)	1		
13-10	1K8-81325-20	. CONDENSER	1		
13-11	116-81331-20	. LUBRICATOR	1		
13-12	110-81347-21	. SCREW (4-10)	1		
13-13	104-81328-20	. CLAMP, lead	1		
13-14	110-81345-21	. SCREW (4-6)	1		
13-15	90480-16110	. GROMMET	1		
13-16	1V9-81315-20	. LEAD WIRE ASS'Y	1		
13-17	98701-05015	. SCREW, flathead	2		

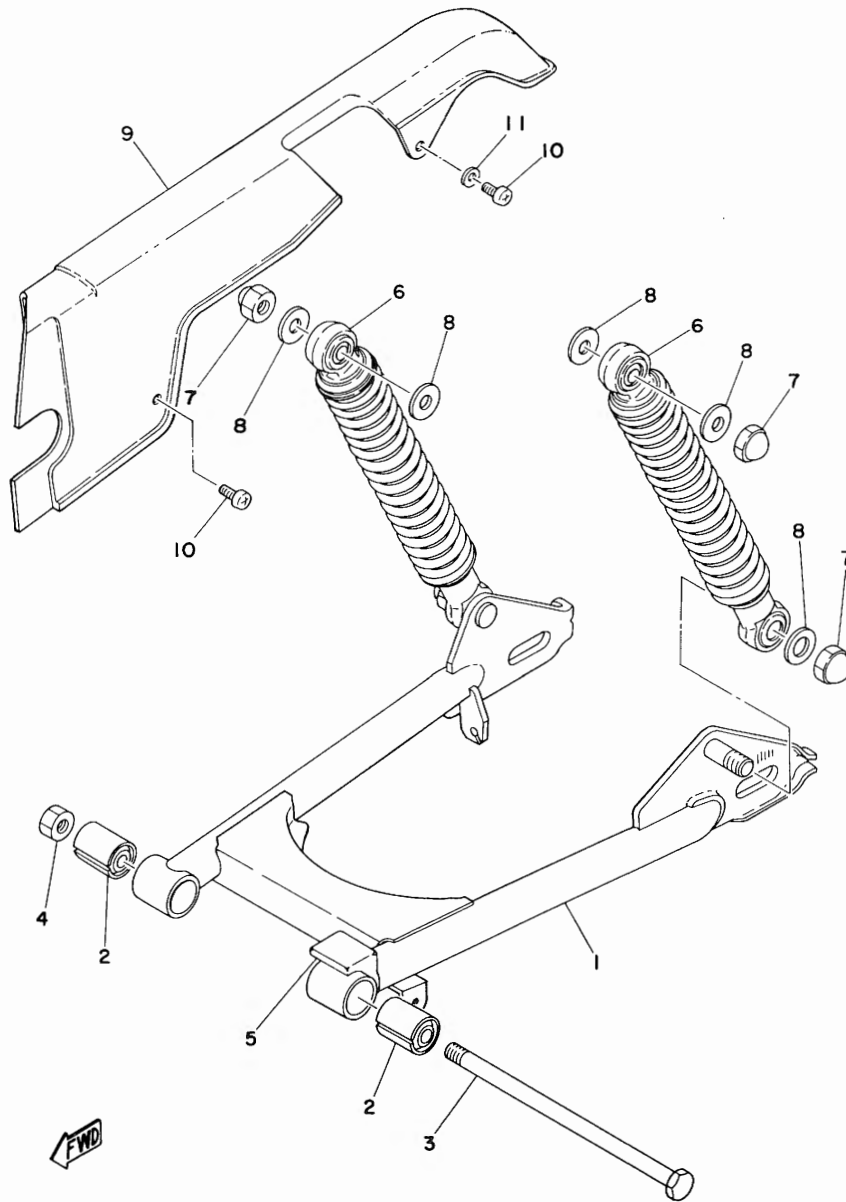
Fig. 14 FRAME



Ref. No.	Part No.	Description	Q'ty	Applicable Machine No.	Remarks
14- 1	1V9-21110-03-E1	FRAME COMP.	1		Chappy Red
	1V9-21110-03-1A	FRAME COMP.	1		New White
	1V9-21110-03-29	FRAME COMP.	1		Candy Blue
	1V9-21110-03-33	FRAME COMP.	1		Yamaha Black
14- 2	439-21421-00-33	STAY, engine 2	1		Yamaha Black
14- 3	90109-08386	BOLT,	1		
14- 4	90170-08158	NUT, hexagon	1		
14- 5	92901-08100	WASHER, spring	4		
14- 6	95821-08120	BOLT, flange	1		
14- 7	90101-08285	BOLT, hexagon	1		
14- 8	95701-08100	NUT, flange	1		
14- 9	439-28321-00	STAY, under cover	1		
14-10	95821-08015	BOLT, flange	2		
14-11	439-28385-00-36	COVER, under	1		Clean White
14-12	97301-06016	BOLT, hexagon	2		
14-13	90201-06052	WASHER, plate (136-22316-00) ...	2		
14-14	90480-21038	GROMMET (296-15486-00)	1		
14-15	1F7-28328-00	EMBLEM, main switch	1		
14-16	1G7-24164-00	EMBLEM, caution	1		
14-17	439-21629-00	GUARD, mud	1		
14-18	97301-06016	BOLT, hexagon	1		
14-19	92901-06100	WASHER, spring	1		
14-20	92901-06600	WASHER, plate	1		
14-21	561-24723-01	DAMPER, seat	2		
14-22	90480-10178	GROMMET	2		
14-23	1F0-28100-11	TOOL ASS'Y	1		
14-24	*	STEERING LOCK ASS'Y	1		

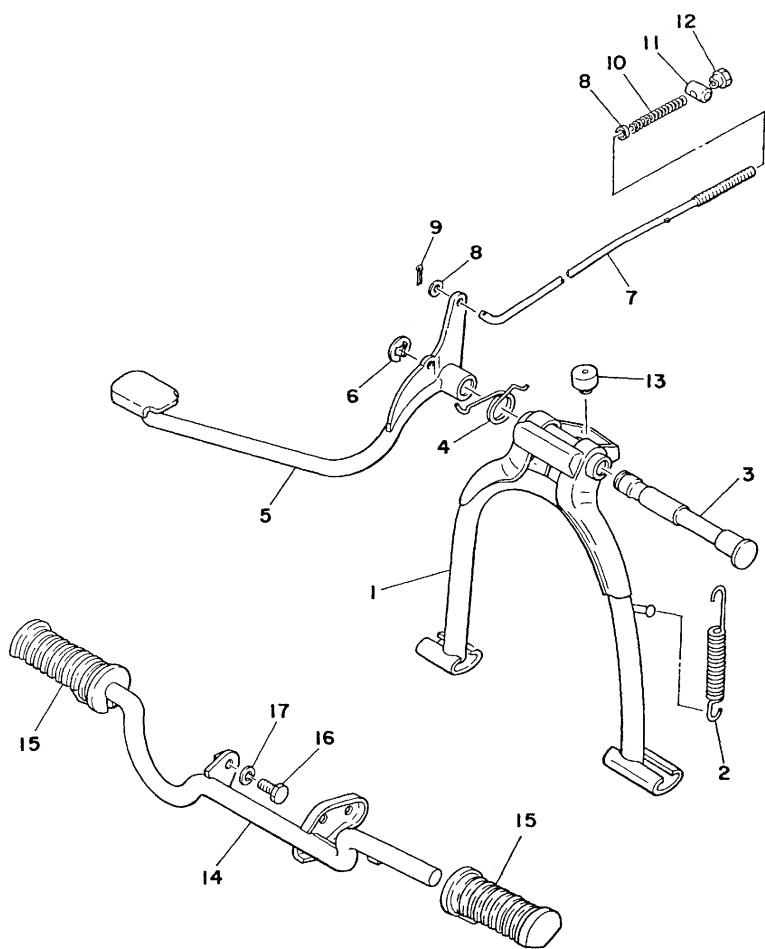
*: The parts marked with * in the Part No. column of this list are not supplied with by Yamaha, those have to be found locally.

Fig. 15 REAR ARM · REAR CUSHION · CHAIN CASE



Ref. No.	Part No.	Description	Q'ty	Applicable Machine No.	Remarks
15- 1	1L6-22110-00-33	REAR ARM COMP.	1		Yamaha Black
15- 2	102-22123-00	BUSHING, rear arm	2		
15- 3	353-22141-02	SHAFT, pivot	1		
15- 4	95601-10100	NUT U	1		
15- 5	395-22151-00	SEAL, guard	1		
15- 6	561-22210-21	REAR CUSHION ASS'Y	2		
15- 7	95304-12800	NUT, crown	4		
15- 8	90201-12190	WASHER, plate (122-22243-00) ...	6		
15- 9	1L4-22311-00	CASE, chain	1		
15-10	98501-05010	SCREW, panhead	2		
15-11	90201-06062	WASHER, plate (256-21615-00) ...	1		

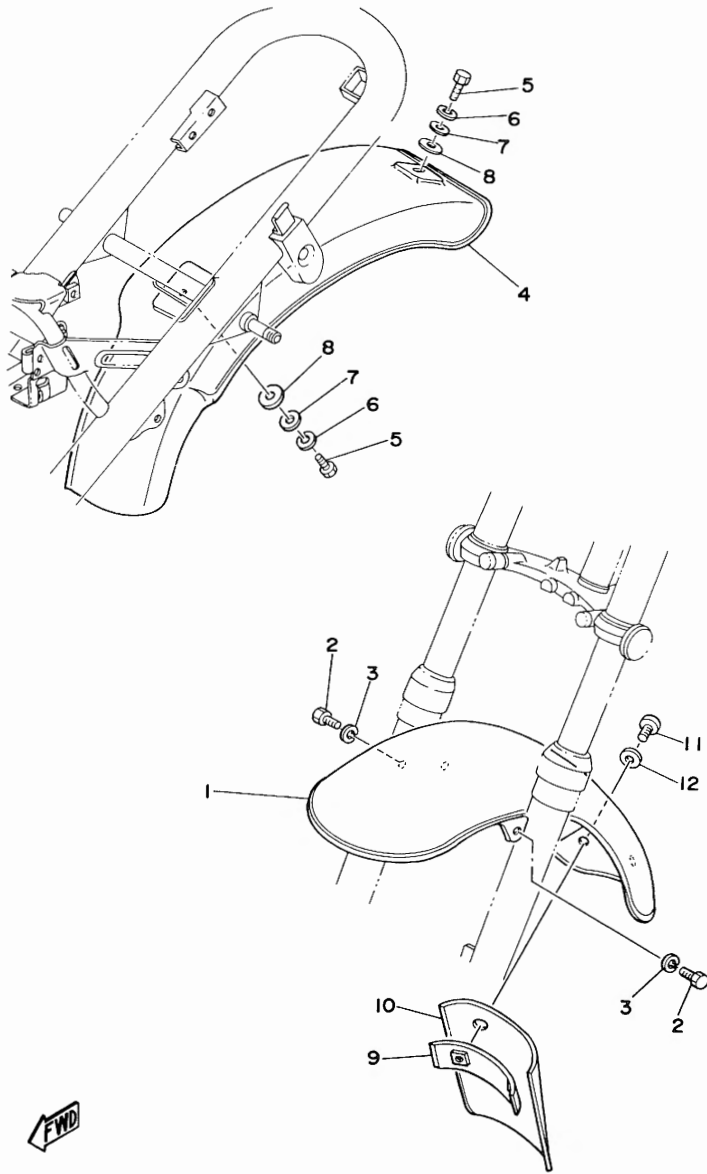
Fig. 16 STAND · FOOTREST · BRAKE PEDAL



Ref. No.	Part No.	Description	Q'ty	Applicable Machine No.	Remarks
16- 1	439-27111-03-33	STAND, main	1		Yamaha Black
16- 2	90506-28100	SPRING, tension (276-27316-00)	1		
16- 3	336-27112-00	SHAFT, main stand	1		
16- 4	90508-26037	SPRING, torsion (156-27216-00)	1		
16- 5	563-27211-02-91	PEDAL, brake	1		
16- 6	93430-12008	CIRCLIP (E-12)	1		
16- 7	288-27231-00	ROD, brake	1		
16- 8	92901-06600	WASHER, plate	2		
16- 9	91401-20012	PIN, cotter	1		
16-10	90501-10245	SPRING, compression (180-27236-00)	1		
16-11	90249-12008	PIN (156-27237-00)	1		
16-12	90179-06176	NUT	1		
16-13	1M3-27114-00	STOPPER, main stand	1		
16-14	551-27411-00	FOOTREST	1		
16-15	441-27413-01	COVER, footrest	2		
16-16	90101-08287	BOLT, hexagon	1		
16-17	92901-08100	WASHER, spring	1		

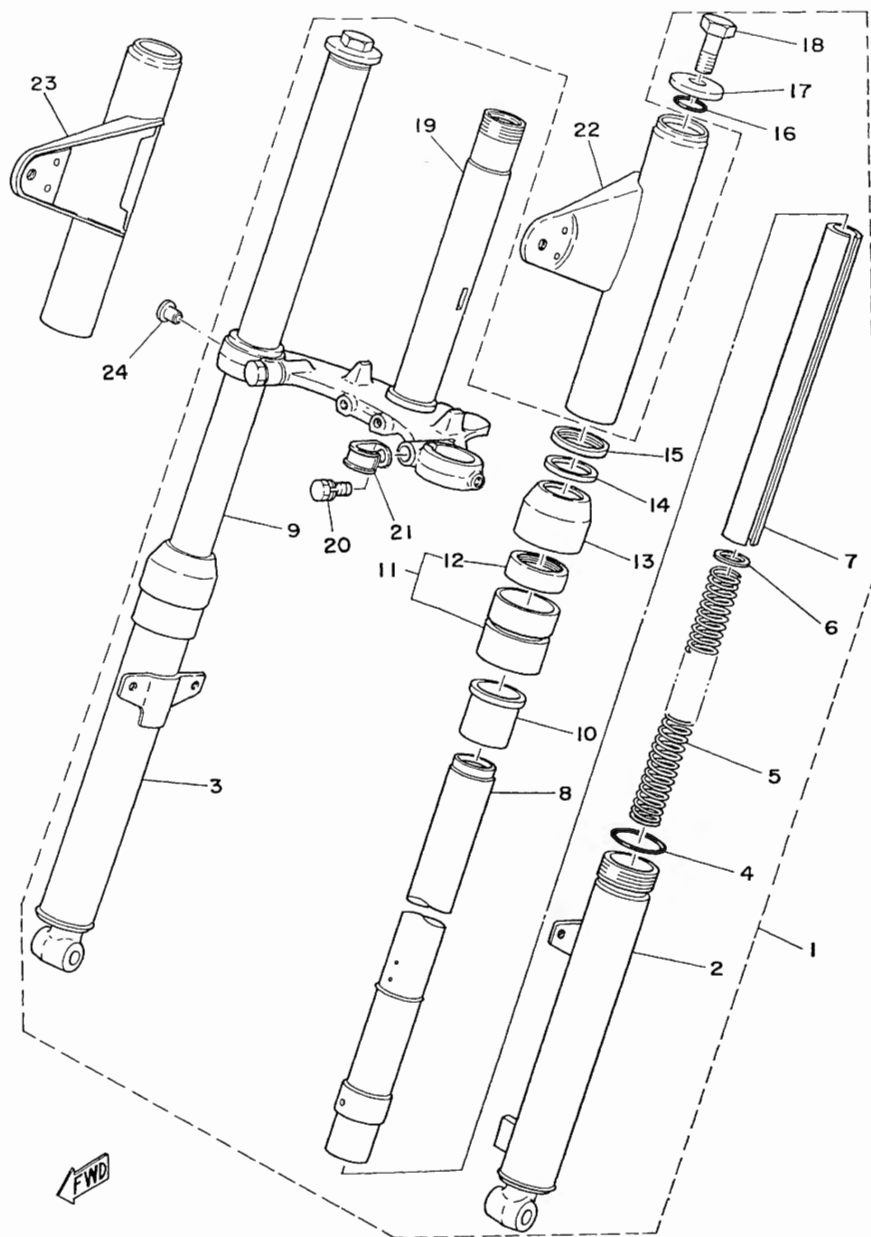


Fig. 17 FRONT FENDER · REAR FENDER



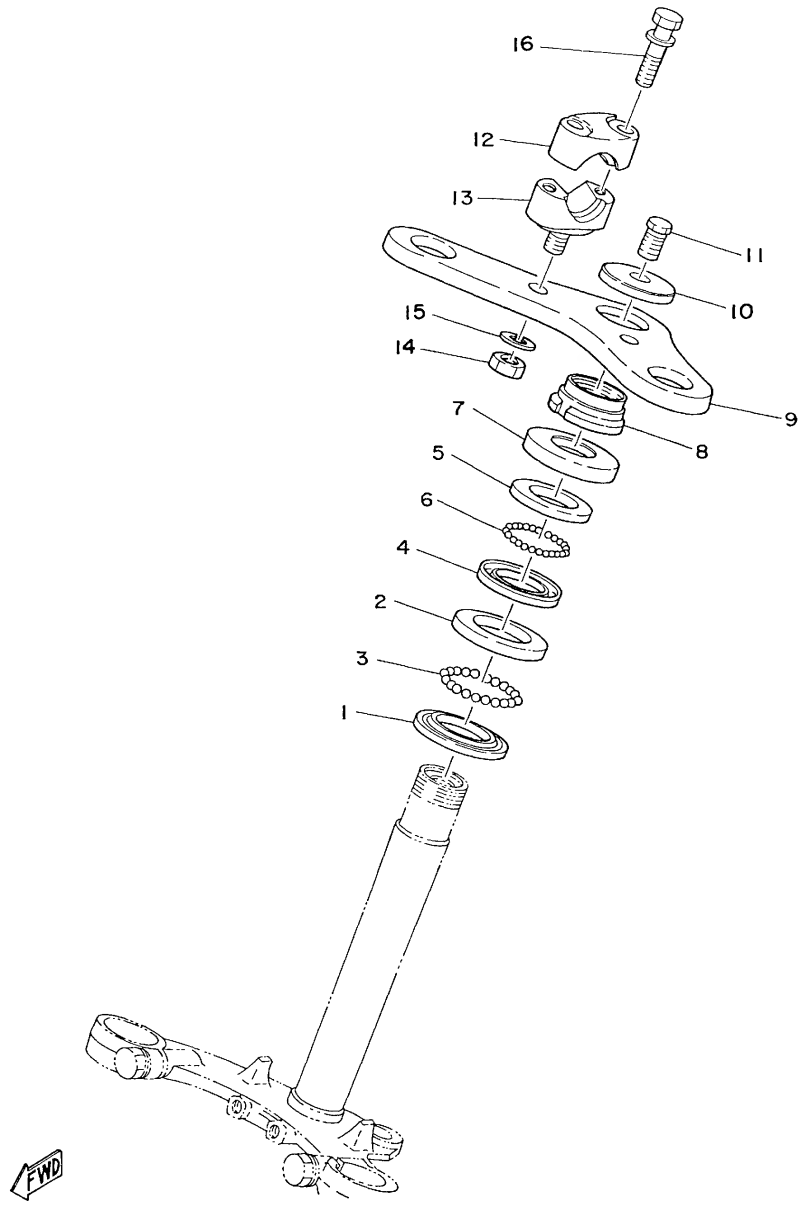
Ref. No.	Part No.	Description	Q'ty	Applicable Machine No.	Remarks
17- 1	1V9-21510-00-93	FRONT FENDER COMP.	1		
17- 2	97301-06012	BOLT, hexagon	4		
17- 3	92901-06100	WASHER, spring	4		
17- 4	441-21611-00-93	REAR FENDER COMP.	1		
17- 5	97301-06012	BOLT, hexagon	2		
17- 6	92901-06100	WASHER, spring	2		
17- 7	92901-06600	WASHER, plate	2		
17- 8	90201-06067	WASHER, plate	2		
17- 9	1V9-21522-00	BAND, flap	1		
17-10	1H2-21621-00	FLAP	1		
17-11	92501-06015	SCREW, panhead	2		
17-12	92901-06600	WASHER, plate	2		

Fig.18 FRONT FORK



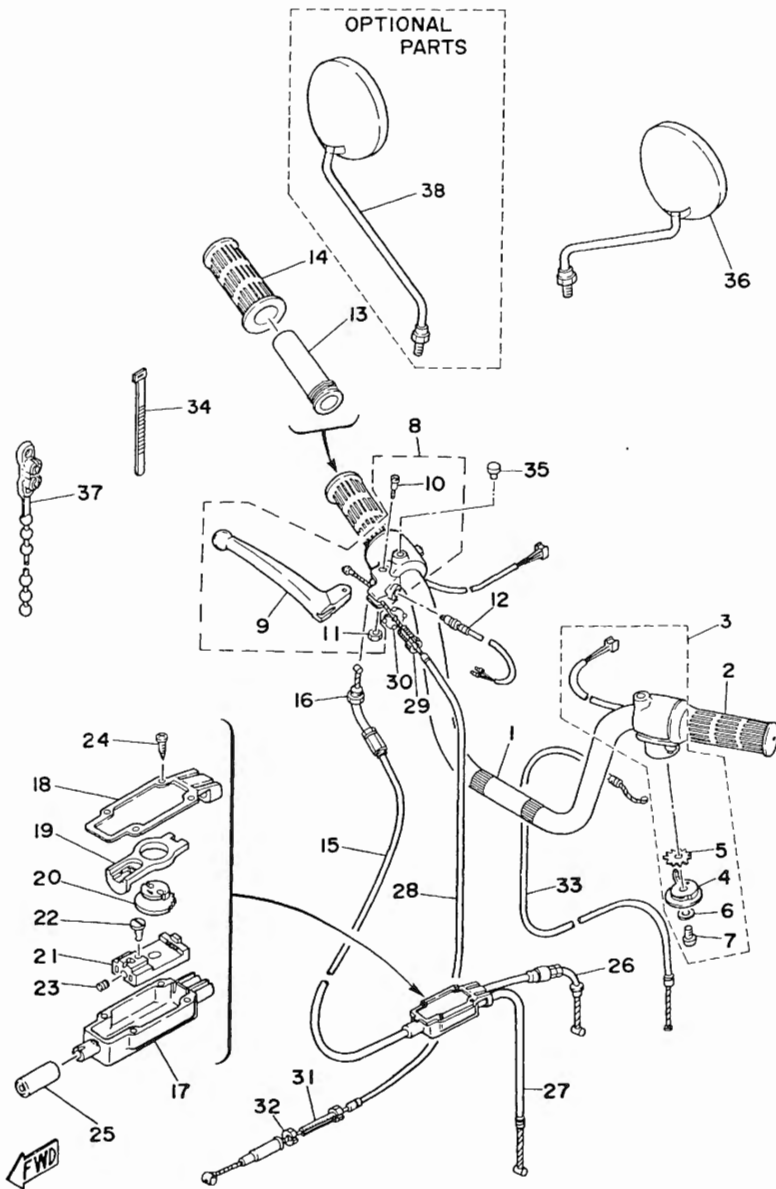
Ref. No.	Part No.	Description	Q'ty	Applicable Machine No.	Remarks
18- 1	511-23101-F2	FRONT FORK ASS'Y	1		
18- 2	1F2-23126-00-35	. TUBE, outer left	1		Silver
18- 3	439-23136-00-35	. TUBE, outer right	1		Silver
18- 4	207-23147-00	. O-RING	1		
18- 5	1F2-23141-00	. SPRING, fork	1		
18- 6	290-23149-00	. WASHER, spring upper	1		
18- 7	1F2-23166-00	. SPACER	2		
18- 8	439-23124-00	. TUBE, inner left	1		
18- 9	439-23134-00	. TUBE, inner right	1		
18-10	109-23125-00	. METAL, slide	2		
18-11	290-23150-01	. OUTER NUT COMP.	2		
18-12	109-23145-01	. . OIL SEAL	2		
18-13	290-23144-00	. SEAL, dust	2		
18-14	122-23163-00	. PACKING	2		
18-15	354-23115-90	. COVER, guide	2		
18-16	307-23114-00	. PACKING	2		
18-17	122-23112-00	. WASHER, cap	2		
18-18	395-23111-00	. BOLT, cap	2		
18-19	511-23340-F1-33	. UNDER BRACKET COMP.	1		Yamaha Black
18-20	1M3-23346-00	. BOLT, under bracket	2		
18-21	260-23318-40	. HOLDER, wire	1		
18-22	439-23121-00-E1	COVER, upper left	1		Chappy Red
	439-23121-00-1A	COVER, upper left	1		New White
	439-23121-00-29	COVER, upper left	1		Candy Blue
	439-23121-00-33	COVER, upper left	1		Yamaha Black
18-23	439-23131-00-E1	COVER, upper right	1		Chappy Red
	439-23131-00-1A	COVER, upper right	1		New White
	439-23131-00-29	COVER, upper right	1		Candy Blue
	439-23131-00-33	COVER, upper right	1		Yamaha Black
18-24	90338-04010	PLUG, blind (290-83329-00)	2		

Fig.19 STEERING



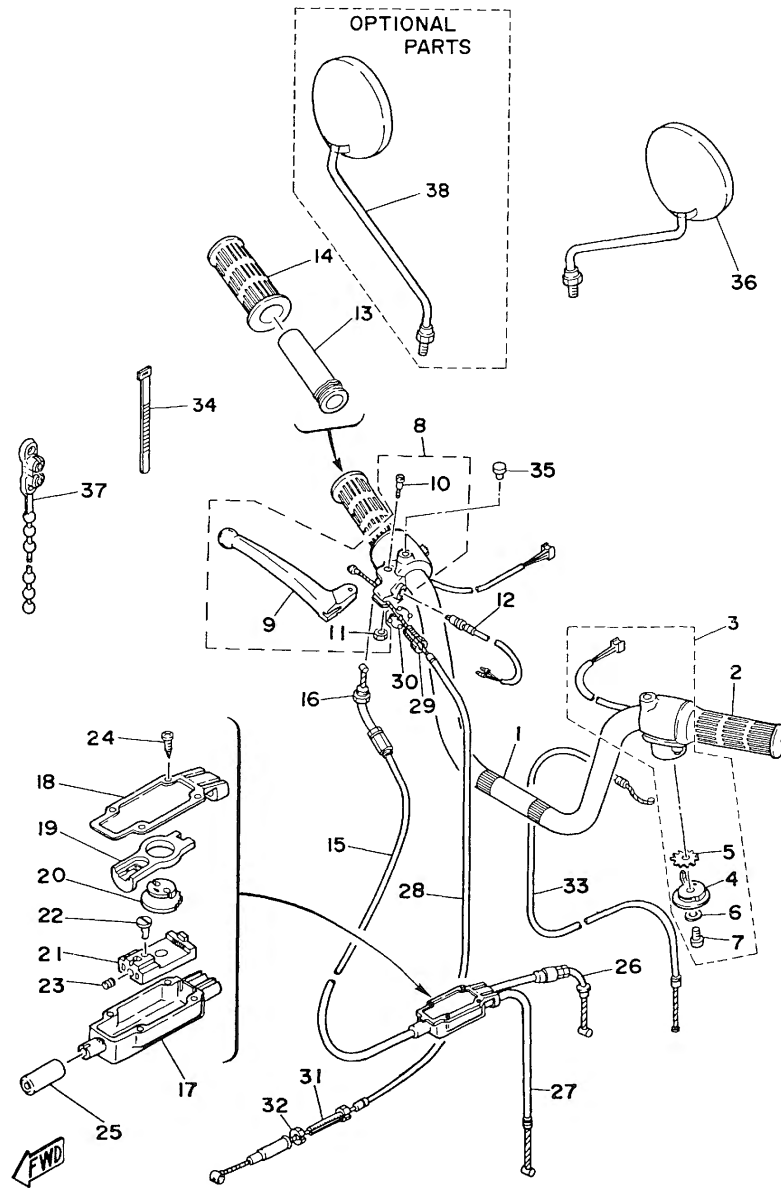
Ref. No.	Part No.	Description	Q'ty	Applicable Machine No.	Remarks
19- 1	156-23411-00	RACE, ball 1	1		
19- 2	156-23412-00	RACE, ball 2	1		
19- 3	93501-04011	BALL (1/4 inch)	19		
19- 4	122-23412-00	RACE, ball 2	1		
19- 5	122-23411-00	RACE, ball 1	1		
19- 6	93503-16010	BALL (3/16 inch)	22		
19- 7	122-23416-00	COVER, ball race	1		
19- 8	90179-25051	NUT (122-23453-00)	1		
19- 9	439-23435-02-35	CROWN, handle	1		Silver
19-10	90209-10021	WASHER (122-23443-00)	1		
19-11	90105-10006	BOLT (122-23451-00)	1		
19-12	122-23441-00	HOLDER, handle upper	2		
19-13	122-23442-02	HOLDER, handle under	2		
19-14	95301-10600	NUT, hexagon	2		
19-15	92901-10100	WASHER, spring	2		
19-16	90119-06017	BOLT	4		

Fig. 20 HANDLE · WIRE



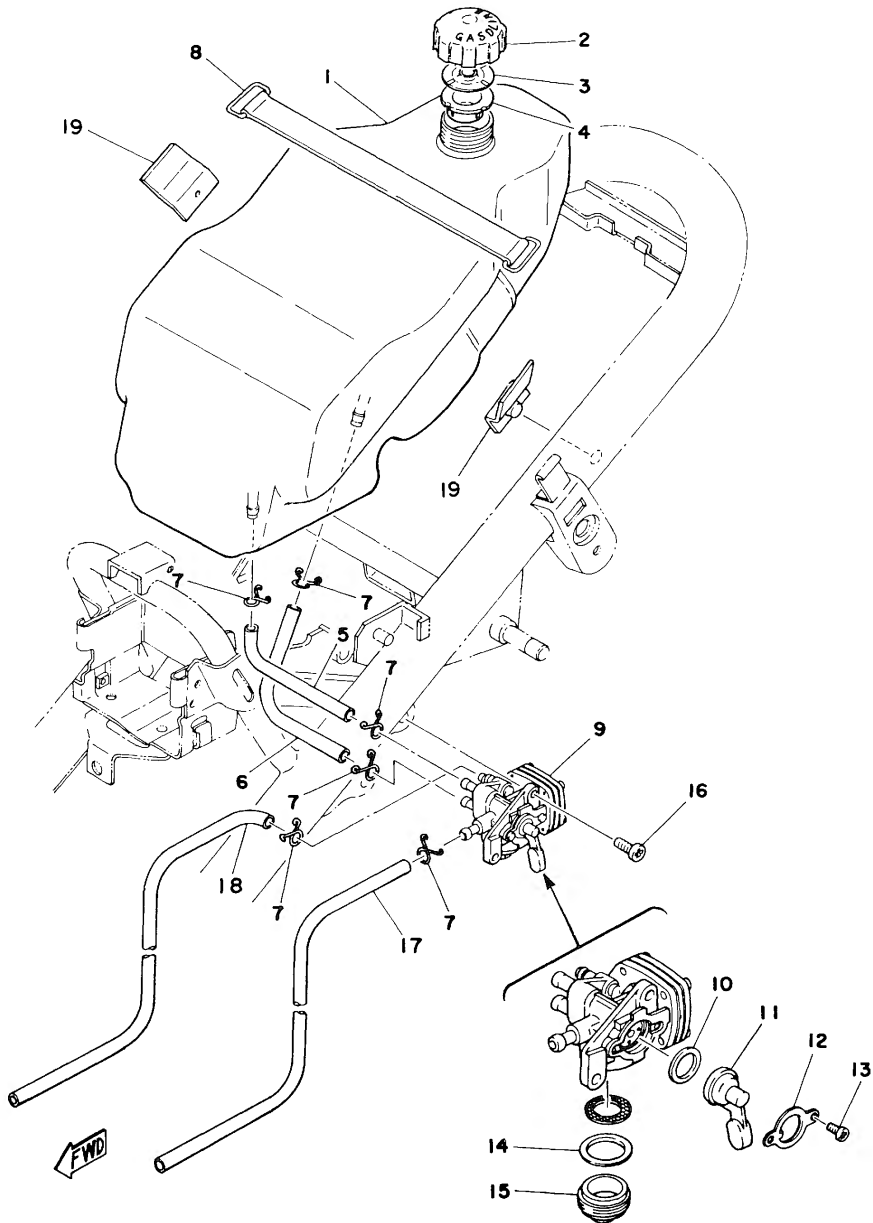
Ref. No.	Part No.	Description	Q'ty	Applicable Machine No.	Remarks
20- 1	2T5-26111-00	HANDLE	1		
20- 2	395-26241-00	GRIP, left	1		
20- 3	1V9-83973-02	SWITCH HANDLE 3	1		
20- 4	439-83941-02	. LEVER, starter	1		
20- 5	90209-10131	. WASHER	1		
20- 6	92901-06200	. WASHER, plain	1		
20- 7	92501-06008	. SCREW, panhead	1		
20- 8	2T5-82920-X0	LEVER HOLDER ASS'Y, right ..	1		
20- 9	395-83922-02	. LEVER, right	1		
20-10	90149-05121	. SCREW	1		
20-11	95601-05100	. NUT U	1		
20-12	2T5-83980-00	FRONT STOP SWITCH ASS'Y ...	1		
20-13	395-26243-00	TUBE, guide	1		
20-14	395-26242-00	GRIP, right	1		
20-15	2T5-26311-00	WIRE, throttle 1 (435mm)	1		
20-16	90170-10038	NUT, hexagon	1		
20-17	2T5-26261-00	CYLINDER, wire	1		
20-18	2T5-26262-00	CAP, cylinder	1		
20-19	2T5-26274-00	GUIDE, rotor	1		
20-20	2T5-26273-00	ROTOR	1		
20-21	2T5-26244-00	SLIDER	1		
20-22	2T5-26267-00	PIN, set	1		
20-23	90501-05512	SPRING, compression	1		
20-24	97701-30114	SCREW, panhead tapping	2		
20-25	156-26329-00	CAP, rubber	1		
20-26	2T5-26321-00	WIRE, pump (130mm)	1		
20-27	2T5-26312-00	WIRE, throttle 2 (142mm)	1		
20-28	439-26341-00	WIRE, brake front (965mm)	1		
20-29	90123-08013	BOLT (156-26346-00)	1		

Fig. 20 HANDLE · WIRE



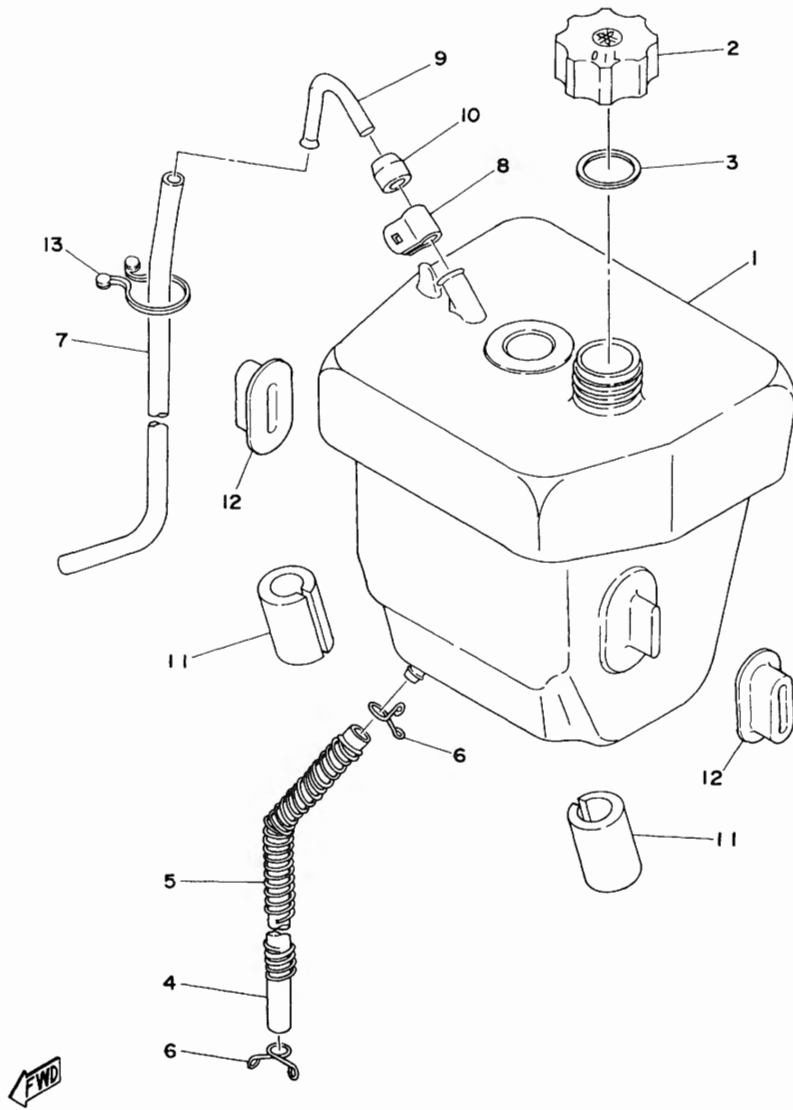
Ref. No.	Part No.	Description	Q'ty	Applicable Machine No.	Remarks
20-30	395-26323-00	NUT, adjusting	1		
20-31	90123-06011	BOLT (109-26345-00)	1		
20-32	90179-06143	NUT (109-26344-00)	1		
20-33	439-26331-00	WIRE, starter (710mm)	1		
20-34	168-83936-01	BAND, switch cord	2		
20-35	90338-07011	PLUG, blind (116-83931-00)	1		
20-36	1Y0-26290-10	BACK MIRROR ASS'Y, left	1		
20-37	90464-20031	CLAMP	1		
OPTIONAL PARTS					
20-38	1Y0-26290-00	BACK MIRROR ASS'Y, right	1		

Fig. 21 FUEL TANK



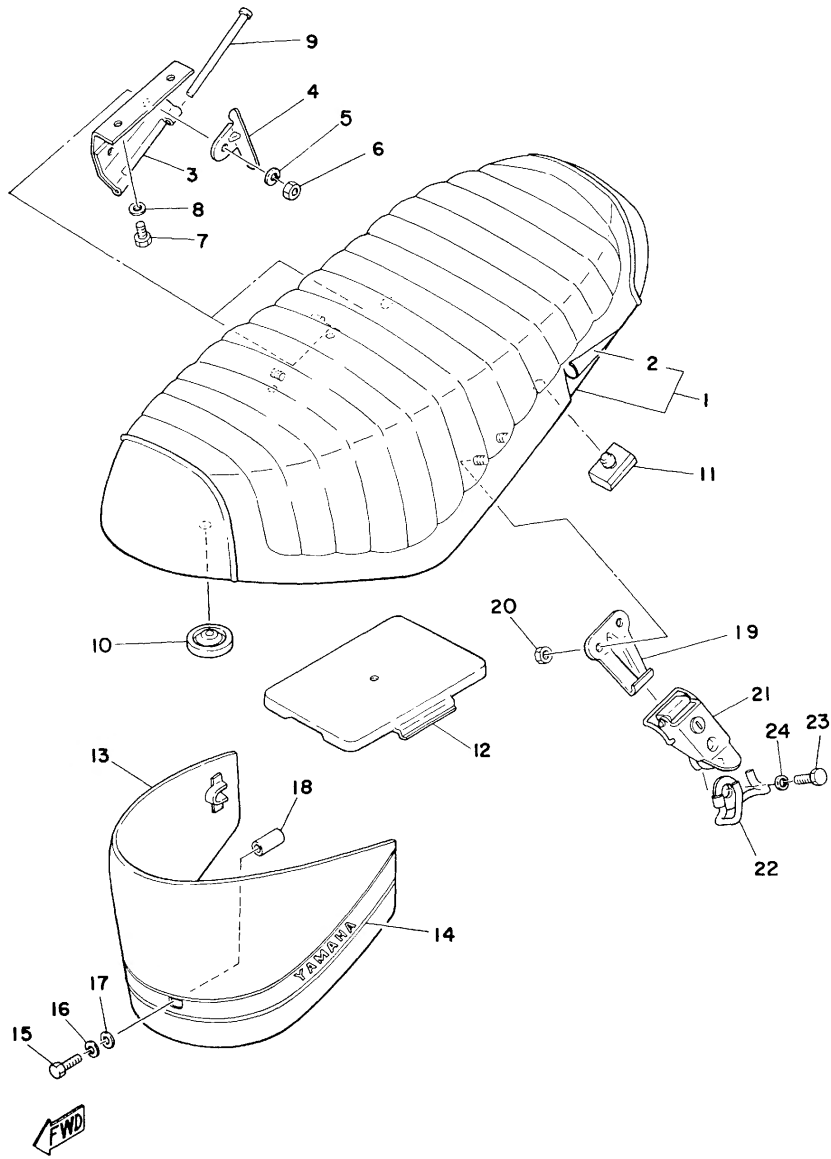
Ref. No.	Part No.	Description	Q'ty	Applicable Machine No.	Remarks
21- 1	1L4-24111-00	TANK, fuel	1		
21- 2	1L4-24611-00	BODY, fuel tank cap	1		
21- 3	1L4-24615-00	GASKET, plate 1	1		
21- 4	1L4-24616-00	GASKET, plate 2	1		
21- 5	439-24311-00	PIPE, fuel	1		
21- 6	168-24311-00	PIPE, fuel	1		
21- 7	90467-08003	CLIP (101-24356-00)	6		
21- 8	561-24173-00	BAND, tank fitting	1		
21- 9	439-24500-01	FUEL COCK ASS'Y	1		
21-10	266-24523-00	. PACKING	1		
21-11	439-24524-00	. LEVER	1		
21-12	439-24525-00	. PLATE, spring	1		
21-13	98501-03006	. SCREW, panhead	2		
21-14	266-24522-00	. PACKING	1		
21-15	266-24521-01	. CUP, filter	1		
21-16	92501-06015	SCREW, panhead	2		
21-17	90445-09304	HOSE (5-310)	1		
21-18	439-24317-00	PIPE 7	1		
21-19	439-24182-00	DAMPER, locating 2	2		

Fig.22 OIL TANK



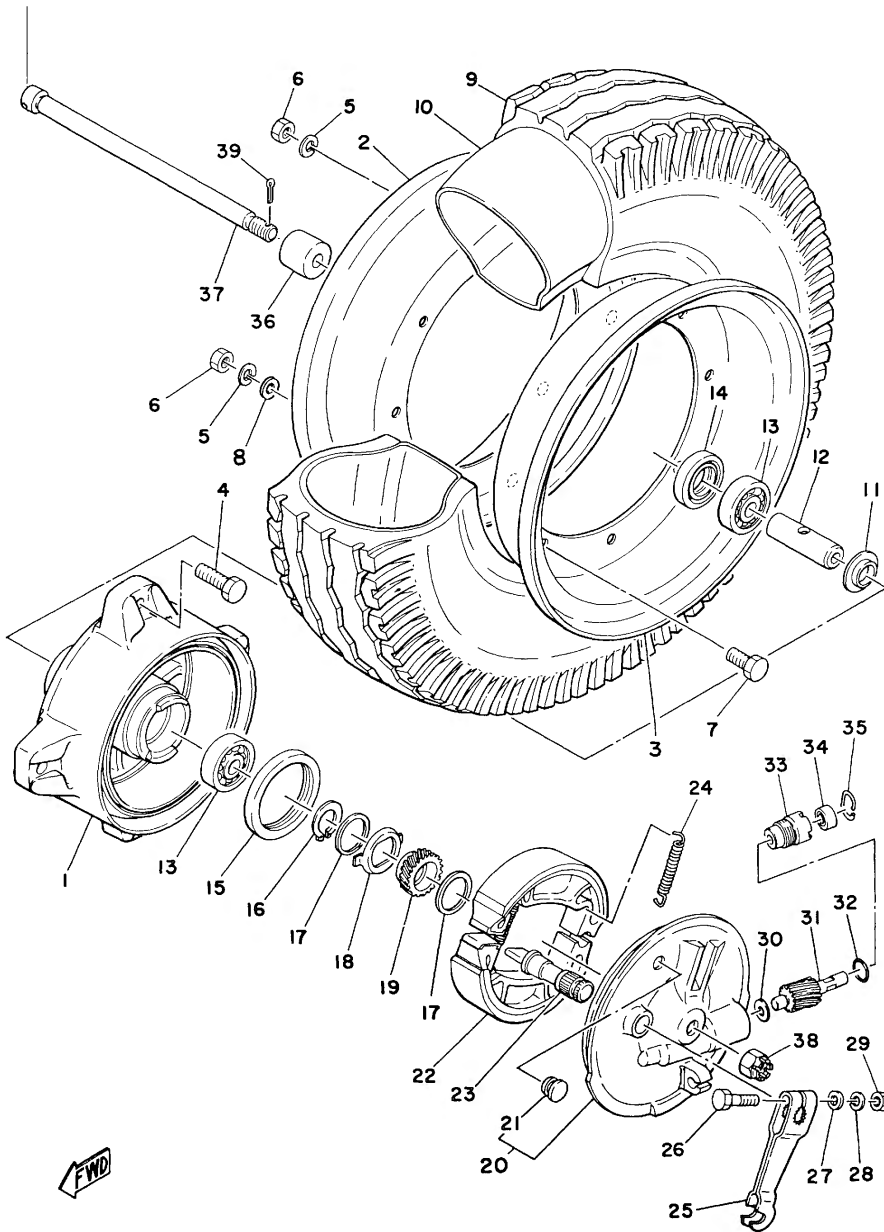
Ref. No.	Part No.	Description	Q'ty	Applicable Machine No.	Remarks
22- 1	1L4-21751-00	TANK, oil	1		
22- 2	296-21771-62	BODY, oil tank cap	1		
22- 3	296-21772-00	GASKET, cap	1		
22- 4	90445-09300	HOSE (5-355)	1		
22- 5	90504-06020	SPRING, compression	1		
22- 6	90467-08003	CLIP (101-24356-00)	2		
22- 7	90445-09113	HOSE (5-485)	1		
22- 8	561-21755-00	CLAMP, tube connecting	1		
22- 9	561-24119-00	TUBE, connecting	1		
22-10	439-21759-01	GROMMET	1		
22-11	439-24181-00	DAMPER, locating 1	2		
22-12	439-21778-01	DAMPER, locating	2		
22-13	341-82594-00	CLAMP, wire harness	1		

Fig. 23 SEAT · UNDER COVER



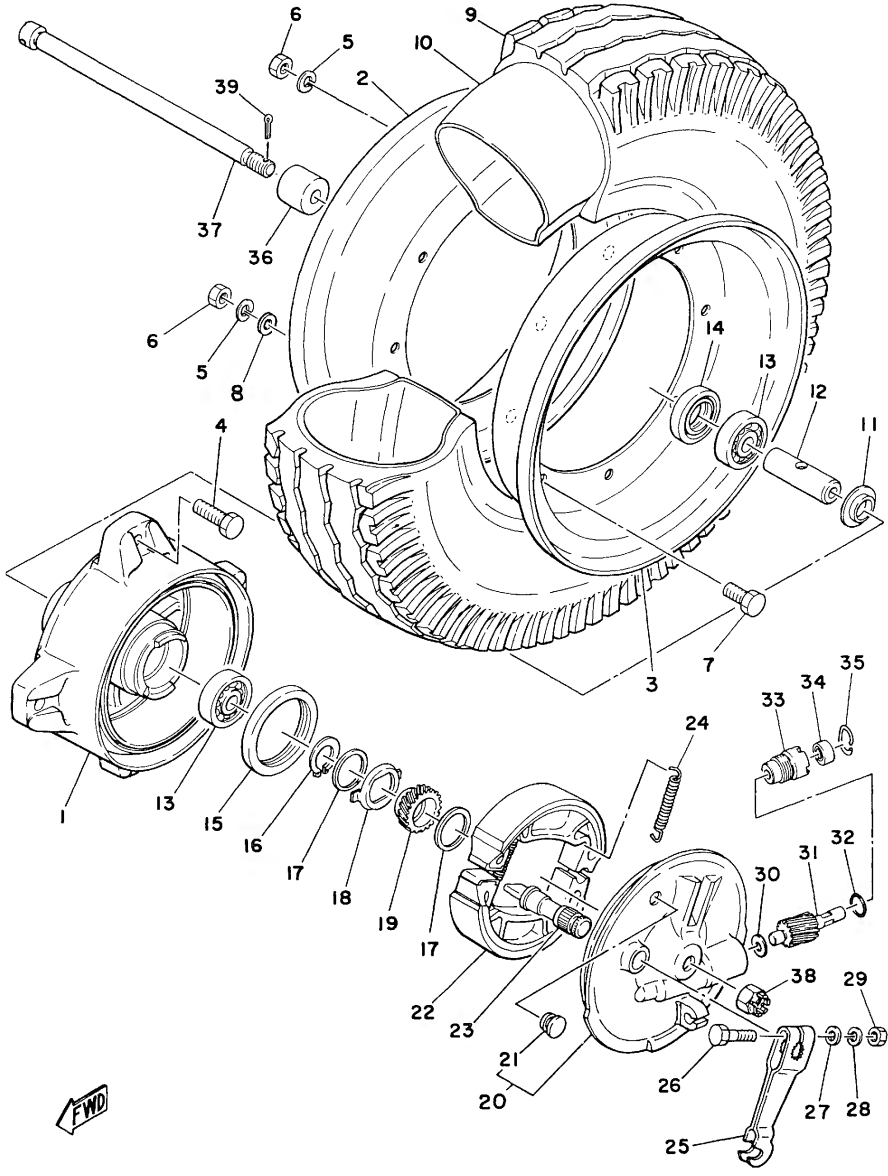
Ref. No.	Part No.	Description	Q'ty	Applicable Machine No.	Remarks
23- 1	1F2-24710-00	SINGLE SEAT ASS'Y	1		
23- 2	1F2-24711-00	. COVER, single seat	1		
23- 3	561-24726-00	HINGE, seat	1		
23- 4	561-24768-02	STOPPER, pin	1		
23- 5	92901-06100	WASHER, spring	2		
23- 6	95301-06600	NUT, hexagon	2		
23- 7	97301-06012	BOLT, hexagon	2		
23- 8	92901-06600	WASHER, plate	2		
23- 9	1K8-24774-00	PIN, right	1		
23-10	174-24741-00	PAD	1		
23-11	214-24724-00	DAMPER, seat	2		
23-12	395-28185-00	LID	1		
23-13	561-24796-01-E1	COVER, seat under	1		Chappy Red
	561-24796-01-1A	COVER, seat under	1		New White
	561-24796-01-29	COVER, seat under	1		Candy Blue
	561-24796-01-33	COVER, seat under	1		Yamaha Black (Chappy Red for Candy Blue Yamaha Black
23-14	561-21783-00	EMBLEM, cover	1		for New White
	561-21783-10	EMBLEM, cover	1		
23-15	97301-06035	BOLT, hexagon	1		
23-16	90204-05001	WASHER, spring (117-21713-01)	1		
23-17	92901-06600	WASHER, plate	1		
23-18	90387-06513	COLLAR	1		
23-19	561-24728-01	BRACKET, seat	1		
23-20	95301-06600	NUT, hexagon	2		
23-21	561-24705-00	SEAT LEVER ASS'Y	1		
23-22	341-24818-02	HOOK, helmet	1		
23-23	97301-06025	BOLT, hexagon	1		
23-24	92901-06600	WASHER, plate	1		

Fig. 24 FRONT WHEEL



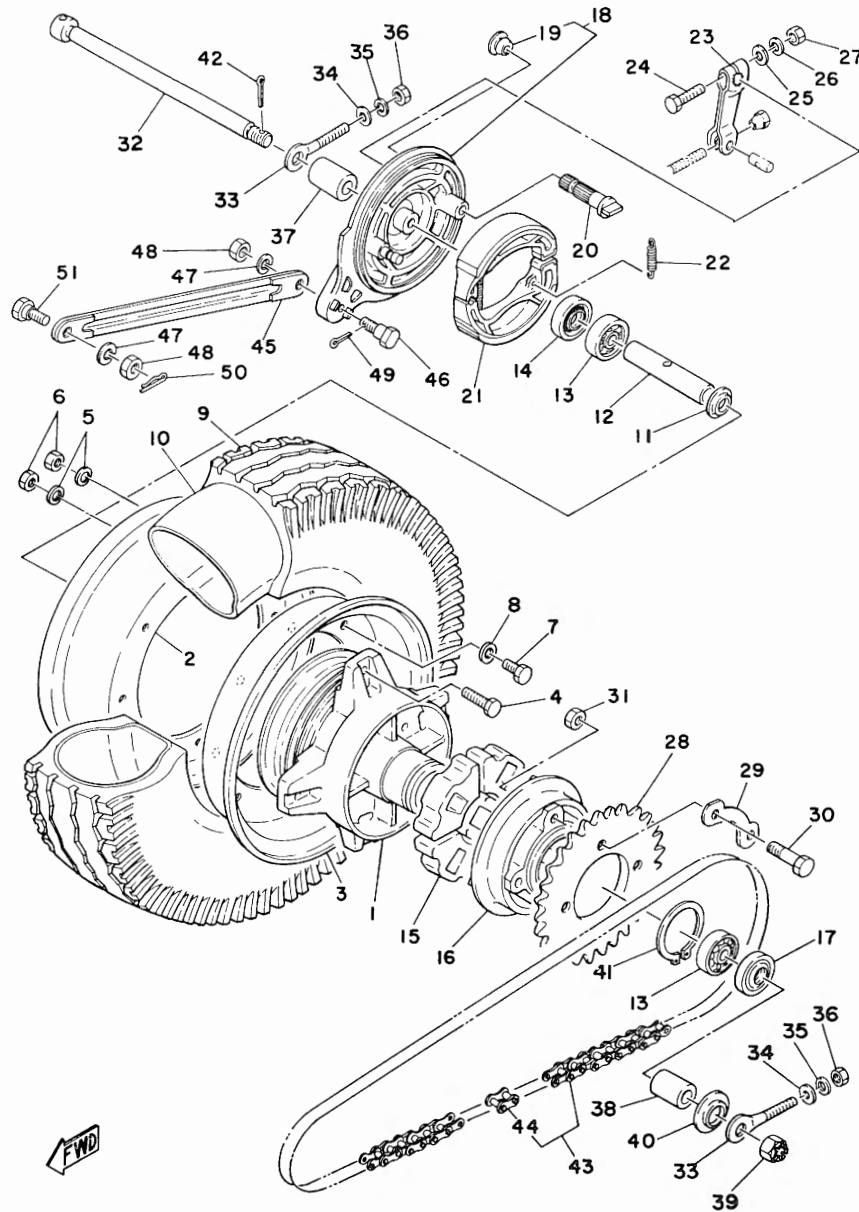
Ref. No.	Part No.	Description	Q'ty	Applicable Machine No.	Remarks
24- 1	439-25111-01	HUB, front	1		
24- 2	1L4-25337-00-35	PANEL, wheel 1	1		Silver
24- 3	1L4-25347-00-35	PANEL, wheel 2	1		Silver
24- 4	90101-08249	BOLT, hexagon	4		
24- 5	92901-08100	WASHER, spring	8		
24- 6	95301-08600	NUT, hexagon	8		
24- 7	97321-08016	BOLT, hexagon	4		
24- 8	92901-08600	WASHER, plate	4		
24- 9	94140-08237	TIRE (4.00-8-4PR)	1		
24-10	94240-08044	TUBE (4.00-8)	1		
24-11	195-25115-00	FLANGE, spacer	1		
24-12	90560-10104	SPACER (439-25117-00)	1		
24-13	93306-30003	BEARING (B6300)	2		
24-14	93106-20001	OIL SEAL (DD-20-35-7)	1		
24-15	93105-47007	OIL SEAL (SDD-47-58-7)	1		
24-16	93410-20009	CIRCLIP (S-20)	1		
24-17	90201-20269	WASHER, plate (183-25147-00) ...	2		
24-18	183-25149-00	CLUTCH, meter	1		
24-19	439-25135-00	GEAR, drive (26T)	1		
24-20	393-25120-10	BRAKE SHOE PLATE ASS'Y	1		
24-21	90480-10068	GROMMET	1		
24-22	296-25330-00	BRAKE SHOE COMP.	2		
24-23	122-25351-02	CAM SHAFT	1		
24-24	90506-16034	SPRING, tension (102-25333-00) ..	2		
24-25	109-25155-00	LEVER, cam shaft	1		
24-26	90101-06278	BOLT, hexagon	1		
24-27	92901-06600	WASHER, plate	1		
24-28	92901-06100	WASHER, spring	1		
24-29	95301-06600	NUT, hexagon	1		

Fig.24 FRONT WHEEL



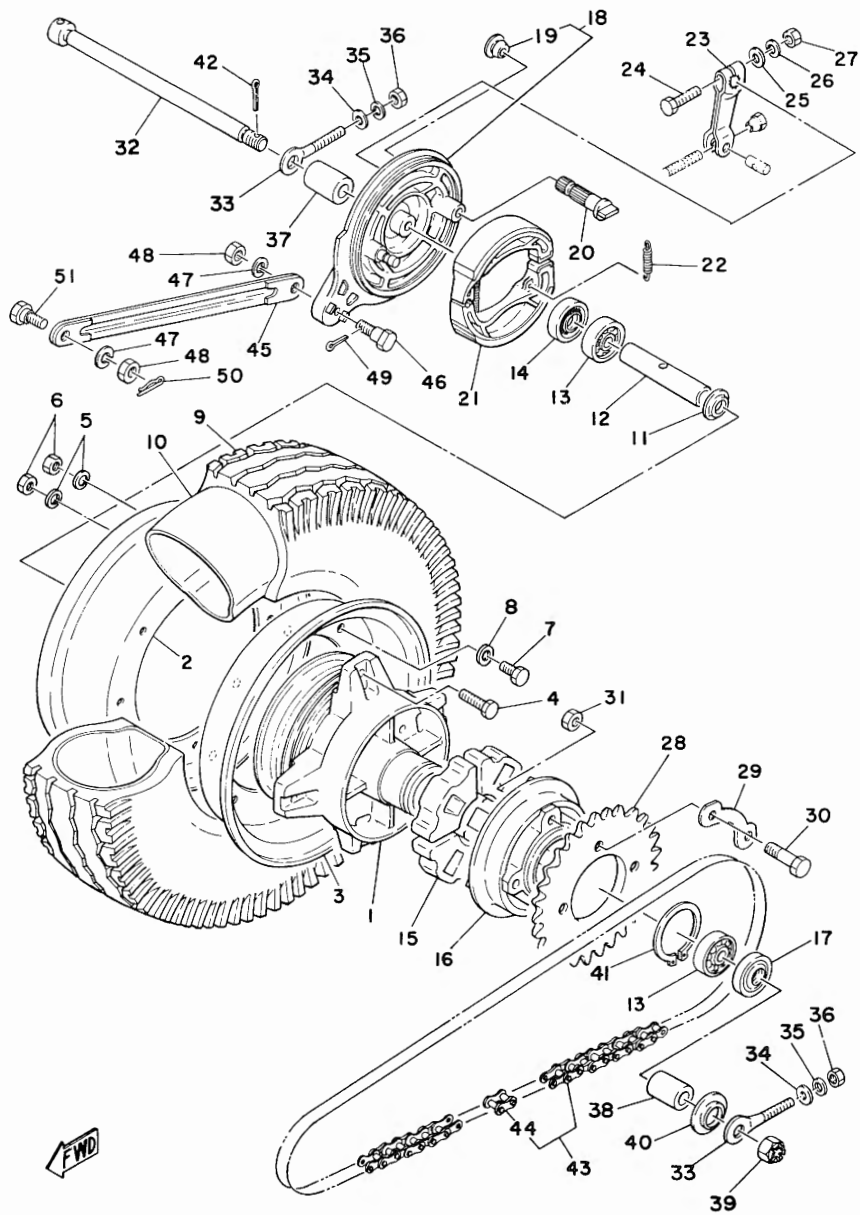
Ref. No.	Part No.	Description	Q'ty	Applicable Machine No.	Remarks
24-30	90201-07076	WASHER, plate (183-25146-00) ...	1		
24-31	439-25138-00	GEAR, meter (15T)	1		
24-32	93210-14104	O-RING (2.4-13.8)	1		
24-33	109-25136-00	BUSHING	1		
24-34	93104-07003	OIL SEAL (SO-7-14-4)	1		
24-35	102-25137-00	RING, stop	1		
24-36	90387-10081	COLLAR (128-25183-00)	1		
24-37	439-25181-01	SHAFT, wheel	1		
24-38	90171-10004	NUT, castle (353-25182-00)	1		
24-39	91401-20020	PIN, cotter	1		

Fig.25 REAR WHEEL



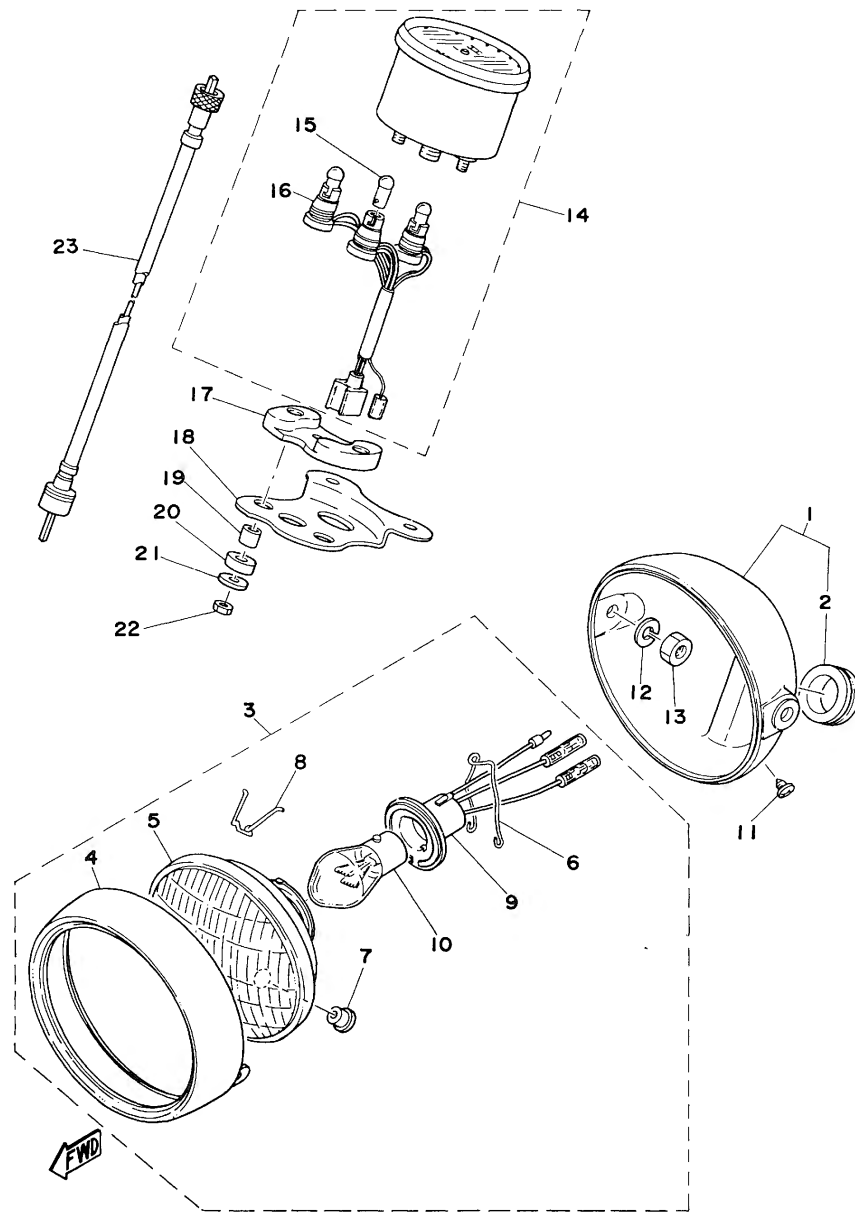
Ref. No.	Part No.	Description	Q'ty	Applicable Machine No.	Remarks
25- 1	561-25311-00	HUB, rear	1		
25- 2	1L4-25337-00-35	PANEL, wheel 1	1		Silver
25- 3	1L4-25347-00-35	PANEL, wheel 2	1		Silver
25- 4	90101-08249	BOLT, hexagon	4		
25- 5	92901-08100	WASHER, spring	8		
25- 6	95301-08600	NUT, hexagon	8		
25- 7	97321-08016	BOLT, hexagon	4		
25- 8	92901-08600	WASHER, plate	4		
25- 9	94140-08237	TIRE (4.00-8-4PR)	1		
25-10	94240-08044	TUBE (4.00-8)	1		
25-11	109-25315-00	FLANGE, spacer	1		
25-12	90560-12110	SPACER (439-25317-00)	1		
25-13	93306-30103	BEARING (B6301Z)	2		
25-14	93104-21016	OIL SEAL (SO-21-37-7)	1		
25-15	304-25364-00	DAMPER, clutch	4		
25-16	561-25366-00	CLUTCH, hub	1		
25-17	93106-20002	OIL SEAL (DD-20-37-8)	1		
25-18	339-25320-10	BRAKE SHOE PLATE ASS'Y.....	1		
25-19	90480-10068	GROMMET	1		
25-20	122-25351-02	CAM SHAFT	1		
25-21	296-25330-00	BRAKE SHOE COMP.	2		
25-22	90506-16034	SPRING, tension (102-25333-00) ..	2		
25-23	102-25355-01	LEVER, cam shaft	1		
25-24	90101-06278	BOLT, hexagon	1		
25-25	92901-06600	WASHER, plate	1		
25-26	92901-06100	WASHER, spring	1		
25-27	95301-06600	NUT, hexagon	1		
25-28	122-25433-10-33	GEAR, sprocket wheel (33T)....	} U.R 1		Yamaha Black
	122-25434-10-33	GEAR, sprocket wheel (34T)....			STD Yamaha Black
	122-25435-10-33	GEAR, sprocket wheel (35T)....			Yamaha Black

Fig. 25 REAR WHEEL



Ref. No.	Part No.	Description	Q'ty	Applicable Machine No.	Remarks
25-29	561-25412-00	WASHER, lock	2		
25-30	90109-08057	BOLT (102-25411-01)	4		
25-31	90170-08157	NUT, hexagon	4		
25-32	439-25381-01	SHAFT, wheel	1		
25-33	102-25389-00	PULLER, chain	2		
25-34	92901-06600	WASHER, plate	2		
25-35	92901-06100	WASHER, spring	2		
25-36	95301-06600	NUT, hexagon	2		
25-37	90387-12412	COLLAR (102-25383-00)	1		
25-38	90387-12096	COLLAR (109-25377-01)	1		
25-39	90171-12005	NUT, castle (367-25382-00)	1		
25-40	561-25367-00	COVER, hub dust	1		
25-41	93410-47030	CIRCLIP (S-47)	1		
25-42	91401-30022	PIN, cotter	1		
25-43	94580-13090	CHAIN (DK420M-90L)	1		
25-44	94604-20001	JOINT, chain (DK420)	1		
25-45	561-25371-00	BAR, tension	1		
25-46	90109-08183	BOLT (102-25373-00)	1		
25-47	92901-08100	WASHER, spring	2		
25-48	95301-08700	NUT, hexagon	2		
25-49	91401-20012	PIN, cotter	1		
25-50	90468-12007	CLIP (102-25375-00)	1		
25-51	90109-08368	BOLT (183-25378-00)	1		

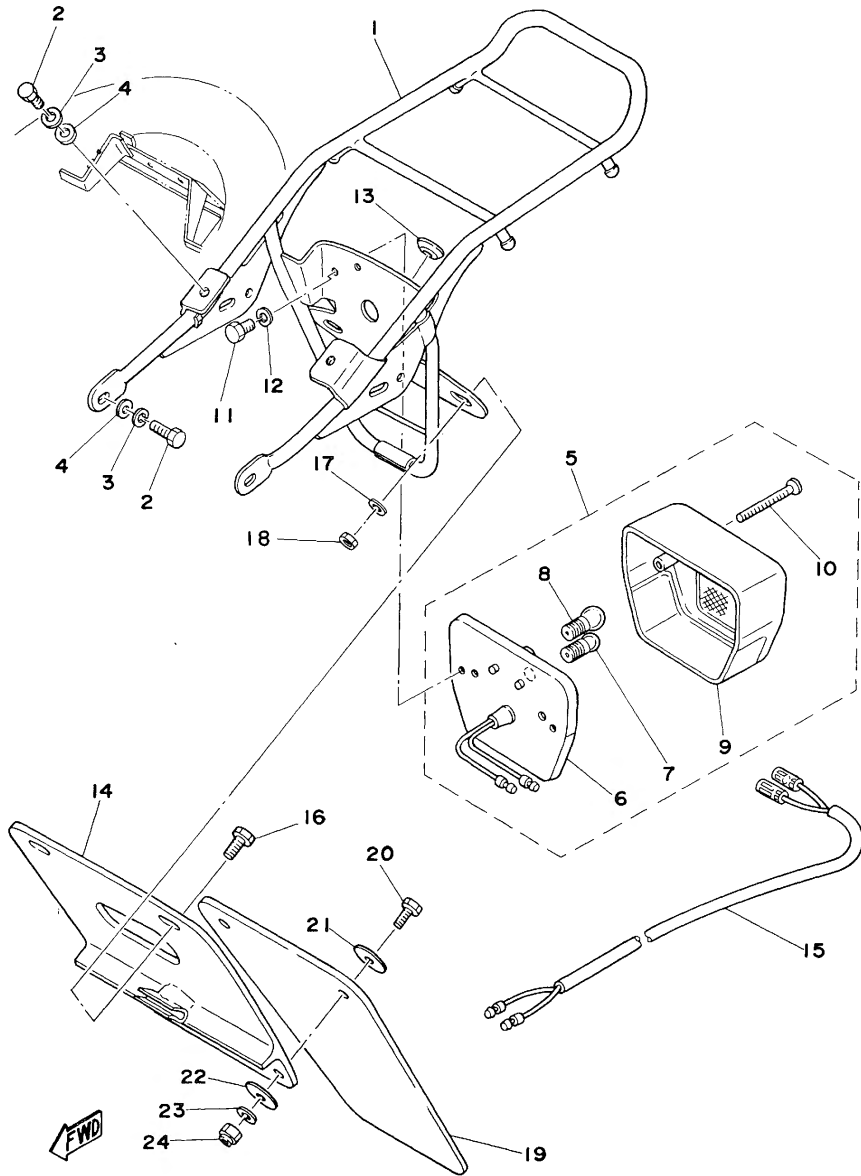
Fig. 26 HEAD LAMP · SPEEDOMETER



Ref. No.	Part No.	Description	Q'ty	Applicable Machine No.	Remarks
26- 1	241-84330-00-E1	HEAD LAMP BODY ASS'Y	1		Chappy Red
	241-84330-00-1A	HEAD LAMP BODY ASS'Y	1		New White
	241-84330-00-29	HEAD LAMP BODY ASS'Y	1		Candy Blue
	241-84330-00-33	HEAD LAMP BODY ASS'Y	1		Yamaha Black
26- 2	150-84153-00	. GROMMET	2		
26- 3	381-84103-91	HEAD LAMP UNIT ASS'Y	1		
26- 4	290-84115-21	. RIM, head lamp	1		
26- 5	381-84120-91	. LENS ASS'Y	1		
26- 6	308-84135-21	. SPRING	1		
26- 7	381-84154-90	. BUSHING	1		
26- 8	290-84124-21	. SPRING, reflector set	3		
26- 9	381-84112-91	. SOCKET CORD ASS'Y	1		
26-10	*	BULB, head lamp (6V-15/15W)	1		
26-11	90152-05005	SCREW, ovalhead	1		
26-12	92901-08100	WASHER, spring	2		
26-13	95301-08600	NUT, hexagon	2		
26-14	1V9-83510-10	SPEEDOMETER ASS'Y	1		Km/h
26-15	122-83516-10	. BULB, speedometer (6V-3W)	3		
26-16	1V9-83520-10	. SOCKET CORD ASS'Y	1		
26-17	355-83513-00	DAMPER	1		
26-18	439-83519-00-33	BRACKET, speedometer	1		Yamaha Black
26-19	355-83522-00	COLLAR	2		
26-20	355-83526-00	DAMPER	2		
26-21	355-83524-00	WASHER, plain	2		
26-22	95301-06600	NUT, hexagon	2		
26-23	439-83550-01	SPEEDOMETER CABLE ASS'Y	1		

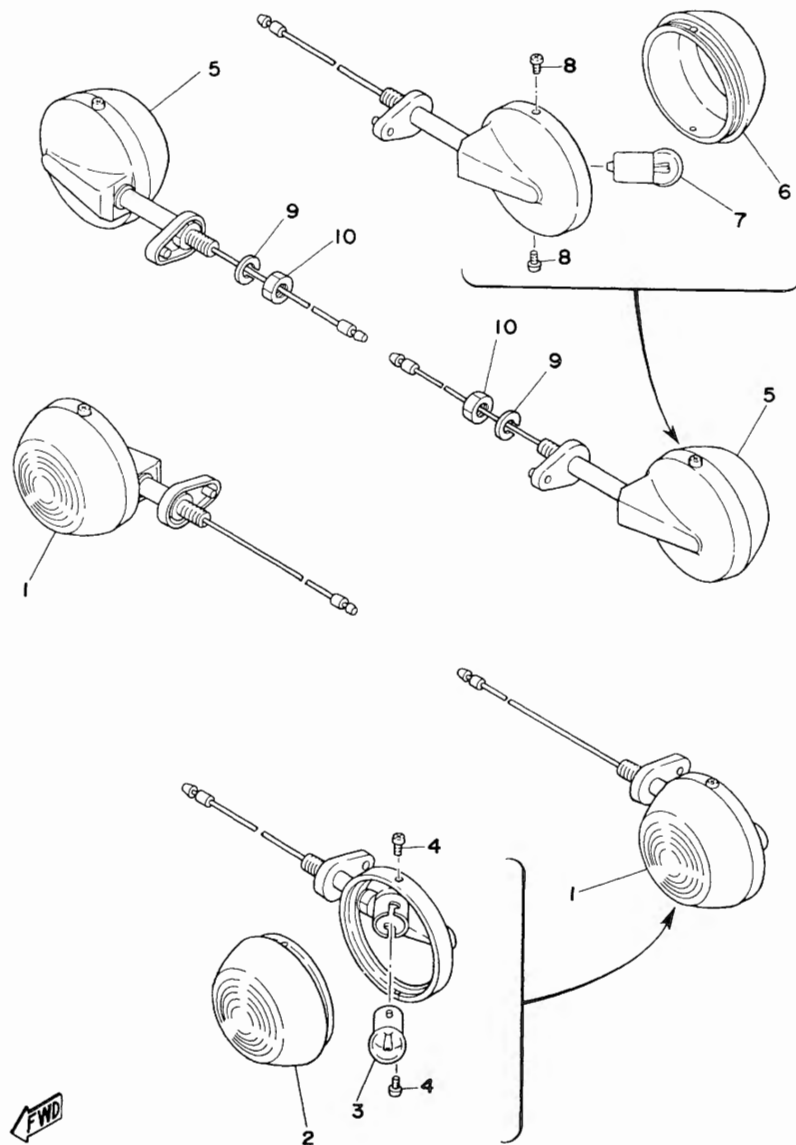
*: The parts marked with * in the Part No. column of this list are not supplied with by Yamaha, those have to be found locally.

Fig. 27 CARRIER · TAIL LAMP



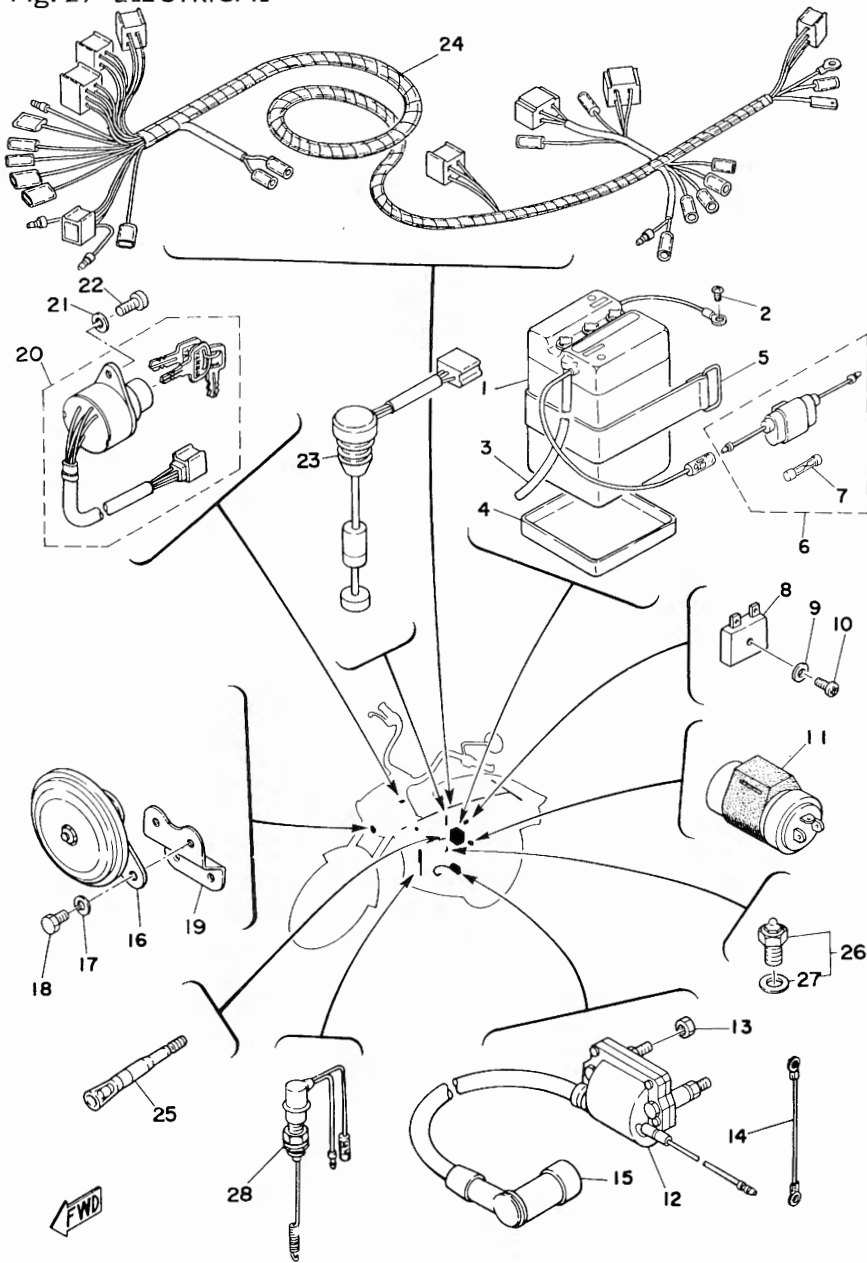
Ref. No.	Part No.	Description	Q'ty	Applicable Machine No.	Remarks
27- 1	1V9-24810-01	CARRIER ASS'Y	1		
27- 2	97301-06014	BOLT, hexagon	4		
27- 3	92901-06100	WASHER, spring	4		
27- 4	92901-06600	WASHER, plate	4		
27- 5	1X6-84510-A0	TAIL LAMP UNIT ASS'Y	1		
27- 6	1X6-84511-00	. BASE, tail lamp	1		
27- 7	1X4-84514-00	. BULB, tail lamp (6V-2W)	1		
27- 8	1X4-84535-00	. BULB, stop lamp (6V-5W)	1		
27- 9	1Y1-84521-30	. LENS, tail lamp	1		
27-10	98511-03045	. SCREW, lens fitting	2		
27-11	97301-05012	BOLT, hexagon	2		
27-12	92901-05100	WASHER, spring	2		
27-13	90480-12013	GROMMET (152-84518-00)	1		
27-14	543-28189-00	PLATE, number suport	1		
27-15	1V9-84517-01	CORD, tail lamp	1		
27-16	97301-06020	BOLT, hexagon	2		
27-17	92901-06600	WASHER, plate	2		
27-18	95301-06600	NUT, hexagon	2		
27-19	1V9-21611-00	FENDER	1		
27-20	97306-06016	BOLT, hexagon	2		
27-21	90201-06552	WASHER, plate	2		
27-22	90201-06067	WASHER, plate	2		
27-23	92901-06100	WASHER, spring	2		
27-24	95301-06600	NUT, hexagon	2		

Fig. 28 FLASHER LAMP



Ref. No.	Part No.	Description	Q'ty	Applicable Machine No.	Remarks
28- 1	2M5-83310-N0-93	FRONT FLASHER LAMP ASS'Y	.. 2		
28- 2	1Y1-83312-01	. LENS, flasher 2		
28- 3	152-83311-10	. BULB, flasher (6V-10W) 2		
28- 4	2N3-83333-N0	. SCREW, lens fitting 4		
28- 5	1F0-83330-N1-93	REAR FLASHER LAMP ASS'Y 2		
28- 6	1Y1-83312-01	. LENS, flasher 2		
28- 7	152-83311-10	. BULB, flasher (6V-10W) 2		
28- 8	2N3-83333-N0	. SCREW, lens fitting 4		
28- 9	92901-08100	WASHER, spring 2		
28-10	95301-08600	NUT, hexagon 2		

Fig. 29 ELECTRICAL



Ref. No.	Part No.	Description	Q'ty	Applicable Machine No.	Remarks
29- 1	120-82110-21	BATTERY ASS'Y (6N4-2A-2)	} U.R 1		FURUKAWA
	120-82110-31	BATTERY ASS'Y (6N4-2A-2)			YUASA
29- 2	92501-06010	SCREW, panhead	1		
29- 3	90445-08247	HOSE (439-82112-00 5-330)	1		
29- 4	268-82122-00	SEAT, battery	1		
29- 5	122-82131-00	BAND, battery	1		
29- 6	353-82150-00	FUSE HOLDER ASS'Y	1		
29- 7	116-82151-00	. FUSE (6V-10A)	2		
29- 8	353-81970-50	RECTIFIER ASS'Y	} U.R 1		
	353-81970-63	RECTIFIER ASS'Y			
29- 9	92901-05600	WASHER, plate	1		
29-10	98501-05020	SCREW, panhead	1		
29-11	1M3-83350-10	FLASHER RELAY ASS'Y	1		
29-12	439-82310-40	IGNITION COIL ASS'Y	1		
29-13	95301-06600	NUT, hexagon	2		
29-14	1M3-82519-01	WIRE, earth lead	1		
29-15	512-82370-10	PLUG CAP ASS'Y	1		
29-16	2T5-83371-10	HORN	1		
29-17	92901-06100	WASHER, spring	2		
29-18	97301-06012	BOLT, hexagon	2		
29-19	511-83378-00	STAY, horn	1		
29-20	2F7-82508-50	MAIN SWITCH ASS'Y	1		
29-21	92901-05100	WASHER, spring	2		
29-22	98501-05010	SCREW, panhead	2		
29-23	542-85720-02	OIL LEVEL GAUGE ASS'Y	1		
29-24	1V9-82590-21	WIRE HARNESS ASS'Y	1		
29-25	517-81980-A0	ADJUSTER	1		
29-26	341-82540-01	NEUTRAL SWITCH ASS'Y	1		
29-27	116-82543-00	. GASKET	1		
29-28	441-82530-00	STOP SWITCH ASS'Y	1		

REPAIR KIT

Fig. 30 REPAIR KIT

Ref. No.	Part No.	Description	Q'ty	Applicable Machine No.	Remarks
30- 1	353-11630-05	PISTON ASS'Y (STD)	1s		
	353-11630-15	PISTON ASS'Y (1st O.S)	1s		
	353-11630-25	PISTON ASS'Y (2nd O.S)	1s		
	353-11630-35	PISTON ASS'Y (3rd O.S)	1s		
	353-11630-45	PISTON ASS'Y (4th O.S)	1s		
30- 2	353-11631-22-97	. PISTON (39.97mm STD)	1	} Ref. No. 3-8	
	353-11635-22	. PISTON (40.25mm 1st O.S)	1		
	353-11636-22	. PISTON (40.50mm 2nd O.S)	1		
	353-11637-22	. PISTON (40.75mm 3rd O.S)	1		
	353-11638-22	. PISTON (41.00mm 4th O.S)	1		
30- 3	517-11633-00	. PIN, piston	1		3-9
30- 4	93450-13022	. CLIP, piston (132-11634-00)	2		3-10
30- 5	260-11610-02	. PISTON RING SET (STD)	1s	} 3-11	
	260-11610-12	. PISTON RING SET (1st O.S)	1s		
	260-11610-22	. PISTON RING SET (2nd O.S)	1s		
	260-11610-32	. PISTON RING SET (3rd O.S)	1s		
	260-11610-42	. PISTON RING SET (4th O.S)	1s		
30- 6	538-11650-00	CONNECTING ROD ASS'Y	1s		
30- 7	538-11651-01	. ROD, connecting	1		3-4
30- 8	93310-41810	. BEARING, con-rod big end	1		3-5
30- 9	257-11681-00	. PIN, crank	1		3-6
30-10	93310-11268	. BEARING, con-rod small end	1		3-7
30-11	1V9-W0001-00	GASKET KIT	1s		
30-12	439-11351-00	. GASKET, cylinder	1		1-8
30-13	1X5-11181-00	. GASKET, cylinder head	1		1-10
30-14	90430-12038	. GASKET (132-15353-00)	1		1-15
30-15	517-15451-01	. GASKET, crankcase cover	1		2-9
30-16	127-14184-00	. GASKET, float chamber	1		10-9

Ref. No.	Part No.	Description	Q'ty	Applicable Machine No.	Remarks
30-17	1J5-14714-00	. GASKET, muffler joint	1		Ref. No. 11-2
30-18	132-14613-00	. GASKET, exhaust pipe	1		11-6
30-19	90430-04004	. GASKET	1		12-8
30-20	353-13621-00	. PACKING, valve seat	2		9-9
30-21	93210-21190	. O-RING (2.6-20.6)	1		2-13
30-22	93210-18023	. O-RING (1.2-17.6)	1		3-20
30-23	93210-08006	. O-RING (1.9-7.8)	1		6-18
30-24	93210-26240	. O-RING (2.4-25.8)	1		12-2
30-25	1V3-W0003-00	OIL SEAL KIT	1s		
30-26	93102-20009	. OIL SEAL (SD-20-35-7)	1		3-13
30-27	93103-28011	. OIL SEAL (SW-28-40-8)	1		3-18
30-28	93102-20143	. OIL SEAL (SD-20-38-5)	1		5-14
30-29	93104-11053	. OIL SEAL (SO-11-20-9)	1		5-17
30-30	93101-12004	. OIL SEAL (S-12-22-5)	1		7-4
30-31	93109-15001	. OIL SEAL (SDO-15-26-6)	1		8-10
30-32	93101-10001	. OIL SEAL (S-10-21-5)	1		12-3

NUMERICAL INDEX

NUMERICAL INDEX

Part No.	Ref No.	Part No.	Ref No.	Part No.	Ref No.	Part No.	Ref No.	Part No.	Ref No.	Part No.	Ref No.
1F0-28100-11	14-23	1V3-14126-00	10-22	1W7-18511-01	6- 9	122-23411-00	19- 5	168-24311-00	21- 6	260-11610-02	3-11
1F0-83330-N1-93	28- 5	1V3-14158-00	10-23	1W7-18512-02	6-20	122-23412-00	19- 4	168-83936-01	20-34	260-11610-12	3-11
1F2-23126-00-35	18- 2	1V3-14713-00	11- 3	1X4-84514-00	27- 7	122-23416-00	19- 7	174-24741-00	23-10	260-11610-22	3-11
1F2-23141-00	18- 5	1V3-15111-00	1- 1	1X4-84535-00	27- 8	122-23441-00	19-12	183-25149-00	24-18	260-11610-32	3-11
1F2-23166-00	18- 7	1V8-13565-00	9- 8	1X5-11181-00	1-10	122-23442-02	19-13	193-14142-15	10- 4	260-11610-42	3-11
1F2-24710-00	23- 1	1V8-14101-10	10- 1	1X6-81313-20	13- 6	122-25351-02	24-23	195-25115-00	24-11	260-23318-40	18-21
1F2-24711-00	23- 2	1V8-14112-30	10-15	1X6-84510-A0	27- 5		25-20	2F7-82508-50	29-20	266-24521-01	21-15
1F7-28328-00	14-15	1V8-14141-14	10- 2	1X6-84511-00	27- 6	122-25433-10-33	25-28	2M5-83310-N0-93	28- 1	266-24522-00	21-14
1G7-24164-00	14-16	1V8-14411-00	9- 1	1Y0-26290-00	20-38	122-25434-10-33	25-28	2N3-83333-N0	28- 4	266-24523-00	21-10
1H2-21621-00	17-10	1V8-14412-00	9- 3	1Y0-26290-10	20-36	122-25435-10-33	25-28		28- 8	268-82122-00	29- 4
1J5-14714-00	11- 2	1V8-14451-00	9- 2	1Y1-83312-01	28- 2	122-82131-00	29- 5	2N8-18541-00	6- 1	278-18127-00	7- 7
1K8-24774-00	23- 9	1V8-14453-00	9- 6		28- 6	122-83516-10	26-15	2T4-15637-00	4- 5	288-27231-00	16- 7
1K8-81321-20	13- 8	1V8-14710-00	11- 1	1Y1-84521-30	27- 9	127-14116-09	10-16	2T5-13101-00	12- 1	290-23144-00	18-13
1K8-81325-20	13-10	1V8-16150-01-20	4- 2	102-14122-00	10-12	127-14123-00	10-13	2T5-13124-00	12- 4	290-23149-00	18- 6
1L4-14612-00	11- 5	1V8-16150-01-30	4- 2	102-22123-00	15- 2	127-14131-00	10-19	2T5-14181-05	10-10	290-23150-01	18-11
1L4-21751-00	22- 1	1V8-16150-01-40	4- 2	102-25137-00	24-35	127-14134-00	10-14	2T5-26111-00	20- 1	290-84115-21	26- 4
1L4-22311-00	15- 9	1V8-16301-01	4- 1	102-25355-01	25-23	127-14135-00	10-30	2T5-26244-00	20-21	290-84124-21	26- 8
1L4-24111-00	21- 1	1V9-W0001-00	30-11	102-25389-00	25-33	127-14137-00	10-17	2T5-26261-00	20-17	296-13147-00	12- 9
1L4-24611-00	21- 2	1V9-21110-03-E1	14- 1	104-81328-20	13-13	127-14143-13	10- 3	2T5-26262-00	20-18	296-14136-00	10-18
1L4-24615-00	21- 3	1V9-21110-03-1A	14- 1	109-23125-00	18-10	127-14143-14	10- 3	2T5-26267-00	20-22	296-14164-00	10-35
1L4-24616-00	21- 4	1V9-21110-03-29	14- 1	109-23145-01	18-12	127-14143-15	10- 3	2T5-26273-00	20-20	296-15128-00	1-16
1L4-25337-00-35	24- 2	1V9-21110-03-33	14- 1	109-25136-00	24-33	127-14161-00	10-26	2T5-26274-00	20-19	296-15316-00	1-19
	25- 2	1V9-21510-00-93	17- 1	109-25155-00	24-25	127-14171-00	10-29	2T5-26311-00	20-15	296-17471-00	5- 3
1L4-25347-00-35	24- 3	1V9-21522-00	17- 9	109-25315-00	25-11	127-14184-00	10- 9	2T5-26312-00	20-27	296-18140-02	6-13
	25- 3	1V9-21611-00	27-19	110-81345-21	13-14	127-14185-00	10- 7	2T5-26321-00	20-26	296-18561-00	6- 6
1L6-15121-03	1- 2	1V9-24810-01	27- 1	110-81346-21	13- 9	127-14186-00	10- 8	2T5-82920-X0	20- 8	296-18562-01	6-11
1L6-15411-00	2- 1	1V9-81300-20	13- 1	110-81347-21	13-12	127-14195-00	10- 6	2T5-83371-10	29-16	296-21771-62	22- 2
1L6-22110-00-33	15- 1	1V9-81315-20	13-16	110-81348-21	13- 7	132-14613-00	11- 6	2T5-83980-00	20-12	296-21772-00	22- 3
1L7-15363-00	2-12	1V9-81350-20	13- 3	116-16521-00	4-10	132-16346-00	6-16	2T6-13178-00	3-21	296-25330-00	24-22
1L7-15610-00-91	8-11	1V9-82590-21	29-24	116-28317-00	11-14	132-18113-01	7- 9	2T8-14155-00	10-21		25-21
1M1-14169-00	10-25	1V9-83510-10	26-14	116-81331-20	13-11	136-18542-00	6- 2	207-23147-00	18- 4	296-81332-10	13- 5
1M2-14196-00	10-36	1V9-83520-10	26-16	116-82151-00	29- 7	150-84153-00	26- 2	207-81312-21	13- 4	3E1-11400-00	3- 1
1M3-15316-00	1-20	1V9-83973-02	20- 3	116-82543-00	29-27	152-83311-10	28- 3	214-24724-00	23-11	3E5-15641-00	8- 2
1M3-23346-00	18-20	1V9-84517-01	27-15	120-82110-21	29- 1		28- 7	241-84330-00-E1	26- 1	3E5-15660-00	8- 1
1M3-27114-00	16-13	1W7-17211-12	5-12	120-82110-31	29- 1	156-15618-01	8-16	241-84330-00-1A	26- 1	3E5-15664-00	8- 6
1M3-82519-01	29-14	1W7-17221-20	5- 8	122-15612-02	8-12	156-23411-00	19- 1	241-84330-00-29	26- 1	3E5-15676-00	8- 8
1M3-83350-10	29-11	1W7-17231-21	5- 9	122-16164-00	4-18	156-23412-00	19- 2	241-84330-00-33	26- 1	304-25364-00	25-15
1R0-14169-00	10-28	1W7-17410-00	5- 1	122-23112-00	18-17	156-26329-00	20-25	257-11681-00	3- 6	307-23114-00	18-16
1V3-W0003-00	30-25	1W7-17421-10	5- 6	122-23163-00	18-14	164-15415-00	2- 5	257-15417-01	2- 7	308-84135-21	26- 6

NUMERICAL INDEX

Part No.	Ref No.	Part No.	Ref No.	Part No.	Ref No.	Part No.	Ref No.	Part No.	Ref No.	Part No.	Ref No.
314-13613-00	9-11	395-22151-00	15-5	439-24182-00	21-19	517-16524-20	4-11	90101-08249	24-4	90201-20266	8-3
314-13616-01	9-12	395-23111-00	18-18	439-24311-00	21-5	517-16524-30	4-11		25-4	90201-20269	24-17
336-27112-00	16-3	395-26241-00	20-2	439-24317-00	21-18	517-16551-91	4-12	90101-08285	14-7	90202-04003	11-13
339-25320-10	25-18	395-26242-00	20-14	439-24500-01	21-9	517-16571-01	4-13	90101-08287	16-16	90202-06010	11-11
341-14952-00	10-20	395-26243-00	20-13	439-24524-00	21-11	517-17461-21	5-15	90105-10006	19-11	90204-05001	23-16
341-24818-02	23-22	395-26323-00	20-30	439-24525-00	21-12	517-17461-31	5-15	90109-06001	6-14	90208-12015	3-24
341-82540-01	29-26	395-28185-00	23-12	439-25111-01	24-1	517-17461-41	5-15	90109-06413	9-15	90208-16019	4-15
341-82594-00	22-13	395-83922-02	20-9	439-25135-00	24-19	517-18101-01	7-1	90109-08057	25-30	90209-10021	19-10
353-11630-05	30-1	401-16111-00-20	3-23	439-25138-00	24-31	517-81980-A0	29-25	90109-08183	25-46	90209-10108	8-14
353-11630-15	30-1	401-16111-00-30	3-23	439-25181-01	24-37	520-81309-20	13-2	90109-08368	25-51	90209-10131	20-5
353-11630-25	30-1	401-16111-00-40	3-23	439-25381-01	25-32	538-11650-00	30-6	90109-08386	14-3	90209-15178	5-18
353-11630-35	30-1	432-14124-00	10-27	439-26331-00	20-33	538-11651-01	3-4	90116-06026	1-7	90209-15179	5-18
353-11630-45	30-1	439-11111-00	1-11	439-26341-00	20-28	542-85720-02	29-23	90119-06017	19-16	90209-15180	5-18
353-11631-22-97	3-8	439-11311-00	1-9	439-27111-03-33	16-1	543-28189-00	27-14	90123-06011	20-31	90249-04039	6-3
353-11631-22-98	3-8	439-11351-00	1-8	439-28321-00	14-9	551-14611-02	11-4	90123-08013	20-29	90249-12008	16-11
353-11635-22	3-8	439-14155-00	10-32	439-28385-00-36	14-11	551-27411-00	16-14	90149-05121	20-10	90280-03017	3-17
353-11636-22	3-8	439-14169-00	10-33	439-82310-40	29-12	561-21755-00	22-8	90152-05005	26-11	90282-05005	3-26
353-11637-22	3-8	439-14174-01	10-31	439-83519-00-33	26-18	561-21783-00	23-14	90170-08157	25-31	90338-04010	18-24
353-11638-22	3-8	439-14718-01	11-9	439-83550-01	26-23	561-21783-10	23-14	90170-08158	14-4	90338-07011	20-35
353-13610-01	9-10	439-14729-00	11-12	439-83941-02	20-4	561-22210-21	15-6	90170-10038	20-16	90340-12005	1-14
353-13621-00	9-9	439-15416-02	12-15	441-14747-00	11-15	561-24119-00	22-9	90170-10105	12-11	90387-06513	23-18
353-14190-12	10-5	439-15426-03	12-18	441-18111-01-91	7-8	561-24173-00	21-8	90170-12175	3-16	90387-10081	24-36
353-22141-02	15-3	439-21421-00-33	14-2	441-18531-02	6-17	561-24705-00	23-21	90171-10004	24-38	90387-12096	25-38
353-81970-50	29-8	439-21629-00	14-17	441-21611-00-93	17-4	561-24723-01	14-21	90171-12005	25-39	90387-12412	25-37
353-81970-63	29-8	439-21759-01	22-10	441-27413-01	16-15	561-24726-00	23-3	90179-06143	20-32	90387-20163	3-19
353-82150-00	29-6	439-21778-01	22-12	441-82530-00	29-28	561-24728-01	23-19	90179-06176	16-12	90401-10029	12-12
354-23115-90	18-15	439-23121-00-E1	18-22	509-14198-00	10-24	561-24768-02	23-4	90179-12244	3-25	90430-04004	12-8
355-83513-00	26-17	439-23121-00-1A	18-22	511-23101-F2	18-1	561-24796-01-E1	23-13	90179-16190	4-16	90430-06012	11-16
355-83522-00	26-19	439-23121-00-29	18-22	511-23340-F1-33	18-19	561-24796-01-1A	23-13	90179-25051	19-8	90430-12038	1-15
355-83524-00	26-21	439-23121-00-33	18-22	511-83378-00	29-19	561-24796-01-29	23-13	90201-06052	14-13	90445-05206	12-21
355-83526-00	26-20	439-23124-00	18-8	512-82370-10	29-15	561-24796-01-33	23-13	90201-06062	15-11	90445-08247	29-3
381-84103-91	26-3	439-23131-00-E1	18-23	517-11412-03	3-2	561-25311-00	25-1	90201-06067	17-8	90445-09113	22-7
381-84112-91	26-9	439-23131-00-1A	18-23	517-11422-01	3-3	561-25366-00	25-16		27-22	90445-09300	22-4
381-84120-91	26-5	439-23131-00-29	18-23	517-11633-00	3-9	561-25367-00	25-40	90201-06552	27-21	90445-09304	21-17
381-84154-90	26-7	439-23131-00-33	18-23	517-15421-01	2-8	561-25371-00	25-45	90201-07076	24-30	90464-20031	20-37
384-13138-00	12-10	439-23134-00	18-9	517-15451-01	2-9	561-25412-00	25-29	90201-12190	15-8	90467-08003	21-7
384-13174-00	12-22	439-23136-00-35	18-3	517-16180-00	4-6	563-27211-02-91	16-5	90201-12535	3-14		22-6
384-15635-00	4-7	439-23435-02-35	19-9	517-16520-10	4-8	90101-06278	24-26	90201-12575	7-5	90467-20023	9-7
393-25120-10	24-20	439-24181-00	22-11	517-16524-10	4-11		25-24	90201-15701	8-18	90468-02033	12-20

NUMERICAL INDEX

Part No.	Ref No.	Part No.	Ref No.	Part No.	Ref No.	Part No.	Ref No.	Part No.	Ref No.	Part No.	Ref No.
90468-23093	8- 5	92501-06015	17-11	92901-08100	14- 5	93410-20009	8- 4	95301-06600	27-24	98501-05020	29-10
90480-10068	24-21		21-16		16-17		24-16		29-13	98501-05025	10-34
	25-19	92501-06035	1- 6		24- 5	93410-20038	5-16	95301-08600	24- 6	98501-05035	12-14
90480-10178	14-22		2-10		25- 5	93410-47030	25-41		25- 6	98511-03045	27-10
90480-11057	12-24	92501-06040	2-11		25-47	93420-61041	4- 3		26-13	98512-03008	9-13
90468-12007	25-50	92501-06045	1- 5		26-12	93430-03014	6- 4		28-10	98701-05015	13-17
90480-12013	27-13		2- 4		28- 9	93430-07012	12- 5	95301-08700	25-48	98901-04008	12- 7
90480-16110	13-15	92501-06050	1- 4	92901-08600	11- 8	93430-09019	6- 7	95301-10600	19-14	98903-06010	11-10
90480-16179	12-23	92501-06100	2- 3		24- 8	93430-10016	6-19	95304-12800	15- 7		
90480-21038	14-14	92501-08010	1-17		25- 8		7- 6	95601-05100	20-11		
90501-05512	20-23	92701-06012	12-17	92901-10100	19-15	93430-12008	16- 6	95601-10100	15- 4		
90501-08463	4- 9	92901-03100	9-14	92901-12100	3-15	93440-10028	8-15	95701-08100	14- 8		
90501-10245	16-10	92901-05100	27-12	93101-10001	12- 3	93440-15012	5-13	95821-08015	14-10		
90504-06020	22- 5		29-21	93101-12004	7- 4	93450-13022	3-10	95821-08120	14- 6		
90504-18005	8-13	92901-05600	29- 9	93102-20009	3-13	93450-28049	5-11	97301-05012	27-11		
90506-06075	9- 5	92901-06100	14-19	93102-20143	5-14	93451-11037	4-14	97301-06010	9- 4		
90506-08122	7- 2		17- 3	93103-28011	3-18	93501-04011	19- 3	97301-06012	17- 2		
90506-10184	6-15		17- 6	93104-07003	24-34	93503-16010	19- 6		17- 5		
90506-16034	24-24		23- 5	93104-11053	5-17	93505-08030	4- 4		23- 7		
	25-22		24-28	93104-21016	25-14	93509-32012	5-10		29-18		
90506-28100	16- 2		25-26	93105-47007	24-15	93603-08072	3-22	97301-06014	27- 2		
90508-26037	16- 4		25-35	93106-20001	24-14	93603-14026	12- 6	97301-06016	14-12		
90508-26136	8- 7		27- 3	93106-20002	25-17	93604-22050	6- 5		14-18		
90508-32263	7- 3		27-23	93109-15001	8-10	93606-14081	6-10	97301-06020	27-16		
90560-10104	24-12		29-17	93210-08006	6-18	94140-08237	24- 9	97301-06025	23-23		
90560-12110	25-12	92901-06200	1-12	93210-14104	24-32		25- 9	97301-06035	23-15		
90560-17124	4-17		20- 6	93210-18023	3-20	94240-08044	24-10	97301-08016	11- 7		
91401-20012	16- 9	92901-06600	14-20	93210-21190	2-13		25-10	97306-06016	27-20		
	25-49		16- 8	93210-26240	12- 2	94580-13090	25-43	97311-06025	8-17		
91401-20020	24-39		17- 7	93306-20309	5- 2	94604-20001	25-44	97321-06020	7-10		
91401-30022	25-42		17-12	93306-20401	5- 7	94701-00039	1-18	97321-08016	24- 7		
91830-21014	2- 2		23- 8	93306-20418	3-12	95301-06600	1-13		25- 7		
91830-22016	1- 3		23-17	93306-30003	24-13		23- 6	97701-30114	20-24		
92501-06008	20- 7		23-24	93306-30103	25-13		23-20	98501-03006	21-13		
92501-06010	29- 2		24-27	93310-11268	3- 7		24-29	98501-04006	2- 6		
92501-06012	5- 4		25-25	93310-41810	3- 5		25-27	98501-04016	10-11		
92501-06015	6-12		25-34	93315-23208	6- 8		25-36	98501-05010	15-10		
	12-16		27- 4	93320-41202	5- 5		26-22		29-22		
	12-19		27-17	93410-17008	8- 9		27-18	98501-05020	12-13		



YAMAHA MOTOR CO., LTD.

PRINTED IN JAPAN

First edition Oct., 1978